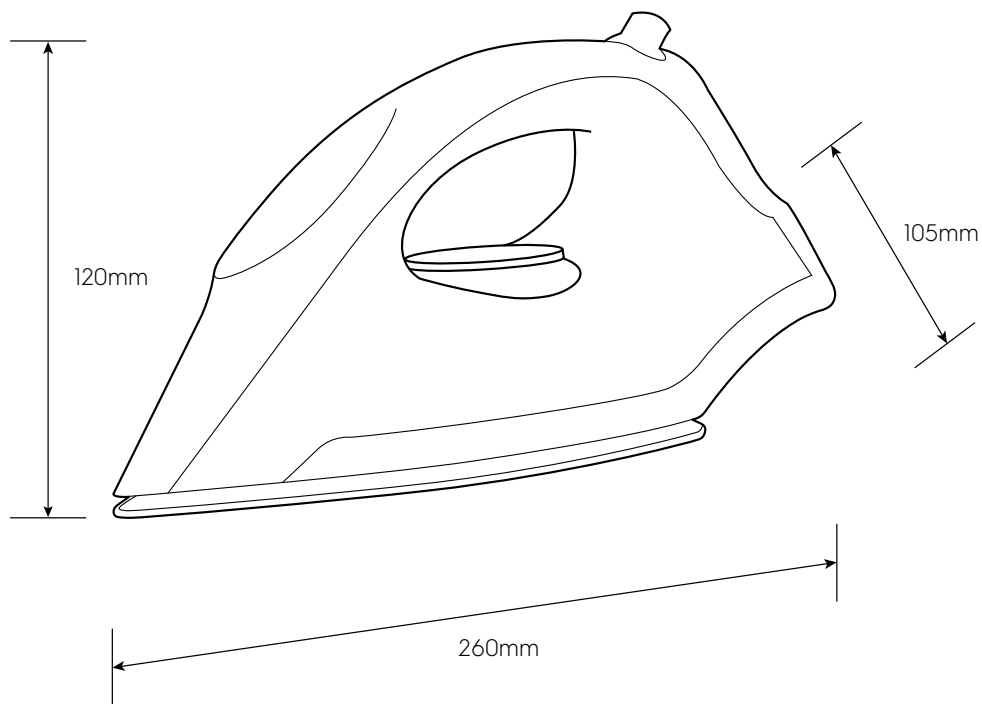


Dimension Guide

Dry Iron

Model:
ED11004

Dimensions			
	width	height	depth
Product (mm)	260	120	105



Please note! Dimensions to be used as a guide only. All customers MUST refer to the user manual supplied with the product for detailed installation instructions.

© 2022 Electrolux S.E.A PTE. LTD. E_DIM_ED11004_Apr22