

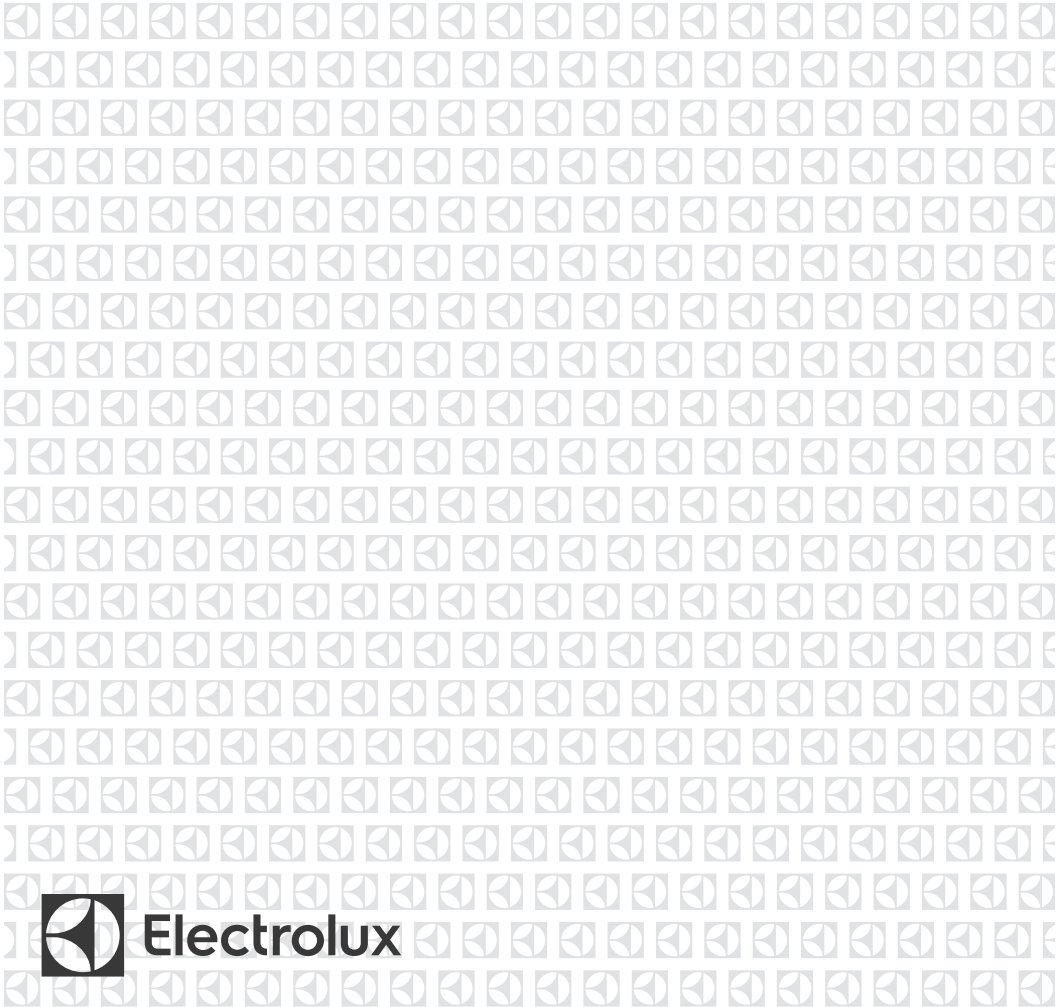
EDBMFSXWG
EDBMFSCSG



EN

USER MANUAL

1



Welcome

Thank you for choosing Electrolux.

Our water dispensers are developed with high technical and quality standards, with features to offer you even more comfort.

Read all instructions before using this appliance. This book contains valuable information about operation, care and service. Keep it in a safe place.

You expect all this from Electrolux....and we deliver.

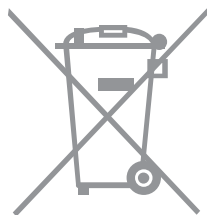
Environmental advice

The packaging material used is recyclable; we recommend that you separate plastic, paper and cardboard and give them to recycling companies.

According to WEEE (Waste of Electrical and Electronic Equipment) guidelines, waste from electrical and electronic devices should be collected separately.

If you need to dispose of this appliance in the future, do NOT throw it away with the rest of your domestic garbage.

Instead, please take the appliance to the nearest WEEE collection point, where available.



Attention

Inside you will find many helpful hints on how to use and maintain your water dispenser properly. Just a little preventive care on your part can save you a great deal of time and money over the life of your Water Dispenser. You'll find many answers to common problems in the chart of troubleshooting tips. If you review our chart of Troubleshooting Tips first, you may not need to call for service at all.

Contents

Safety	3
Product description	5
Installation	6
How to use	9
Care and cleaning	11
Troubleshooting	13
Technical informations	15

Attention

- The appliance that you have bought may be slightly different from the one illustrated in this manual. Please refer to the information related to the model you have.
- The appliance you have may carry a different plug than the one illustrated in this manual. The plug that comes with the product follows the electrical specification of the country where it is sold.
- Contact the authorised service technician for repair or maintenance of this unit.
- If the power cord is to be replaced, replacement work shall be performed by authorised personnel only.
- This product was developed for regions with an altitude of approximately 2000 meters. For a higher region, the water boiling point might be too low and cause product damages.

To reduce risk of injury and property damage, user must read this entire guide before assembling, installing and operating dispenser.

Failure to execute the instructions in this manual can cause personal injury or property damage.

This product dispenses water at very high temperatures. Failure to use properly can cause personal injury.

When operating this dispenser, always exercise basic safety precautions, including the following:

WARNING: When positioning the appliance, ensure the supply cord is not trapped or damaged.

WARNING: Do not locate multiple portable socket-outlets or portable power supplies at the rear of the appliance.

Safety

For children

- This appliance is not intended for use by persons (including children) with reduced physical, sensory or mental capabilities, or lack of experience and knowledge, unless they have been given supervision or instruction concerning use of the appliance by a person responsible for their safety.
- Children should be supervised to ensure that they do not play with the appliance.

General safety

- It is most important that this instruction book should be retained with the appliance for future reference. Should the appliance be sold or transferred to another owner, or should you move to another house and leave the appliance, always ensure that the book is supplied with the appliance in order that the new owner can get to know the functioning of the appliance and the relevant warnings.
- Correct functioning of your appliance does not only depend on product quality, but on correct installation by a qualified professional.
- Never remove or damage stickers, warning labels or nameplates attached to the appliance.
- A qualified technician carrying out the installation is obliged to observe applicable national standards and regulations concerning connection to the water distribution system and the electric network. The manufacturer is not responsible for any unprofessional or incorrect installation.
- Check that the specifications written on the appliance's identification plate are the same as those of the electrical power supply.
- If the supply cord is damaged, it must be replaced by the manufacturer, its service agent or similarly qualified persons in order to avoid a hazard.
- **WARNING:** Keep ventilation openings, in the appliance enclosure or in the built-in structure, clear of obstruction.
- **WARNING:** Do not use mechanical devices or other means to accelerate the defrosting process, other than those recommended by the manufacturer.
- **WARNING:** Do not damage the refrigerant circuit.
- **WARNING:** To avoid a hazard due to instability of the appliance, it must be fixed in accordance with the instructions.
- This appliance is intended to be used in household and similar applications such as:
 - staff kitchen areas in shops, offices and other working environments;
 - farm houses and by clients in hotels, motels and other residential type environments;
 - bed and breakfast type environments;
 - catering and similar non-retail applications

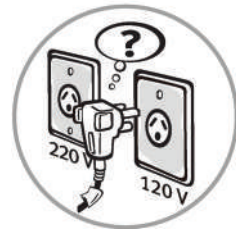
- This appliance is manufactured and tested in accordance with valid regulations.
- Do not store explosive substances such as aerosol cans with a flammable propellant in this appliance.

Installation

- Obey the installation instruction supplied with the appliance.
- Remove all the Packaging items.
- Do not install or use a damaged appliance.
- Before first time starting up, check the appliance for any damage incurred during transport.
- Never remove or damage stickers, warning labels or nameplates attached to the appliance.

Electrical connection

- Only plug the water dispenser directly in the current if it is correctly grounded and with the certain voltage.
- Choose a place that is near a grounded electrical outlet.
- Make sure the appliance is installed correctly. Loose and incorrect electricity mains cable or plug (if applicable) can make the terminal become too hot.
- Make sure that the electrical information on the rating plate agrees with the power supply. If not, contact our Authorised Service Centre or an electrician.
- The appliance have electrical switches in the rear side which is set to turn ON or OFF the water heating and cooling system.
- Do not use multi-plug adapters and extension cables.
- Make sure not to cause damage to the mains plug (if applicable) or to the mains cable. Contact our Authorised Service Centre or an electrician to change a damaged mains cable.

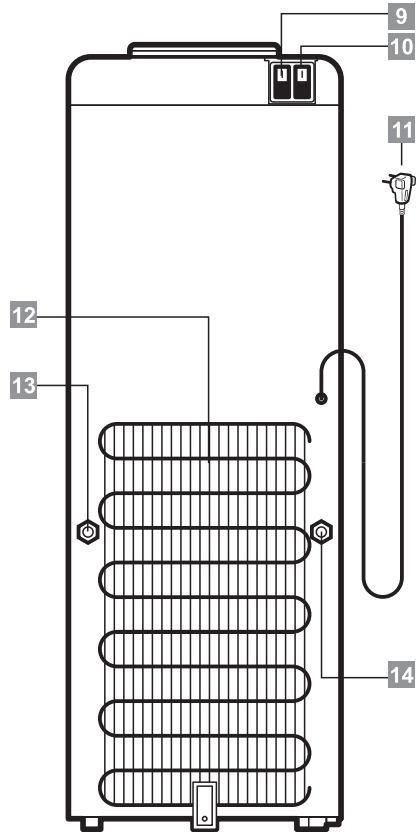
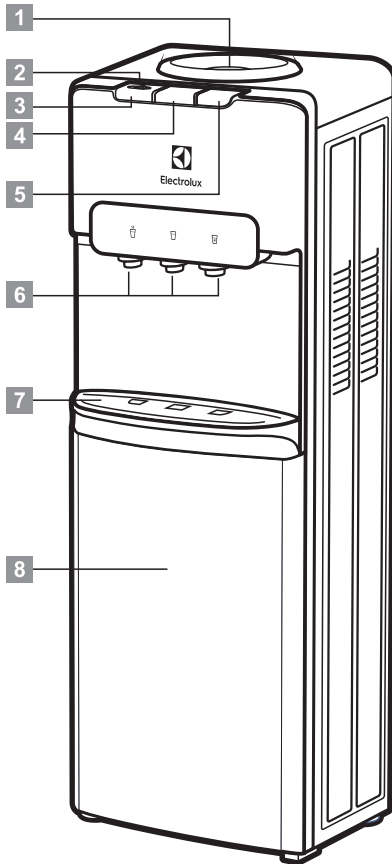


Water connection

- Make sure to use a new water bottle.
- Make sure the water bottle not faulty - no leakage or holes.
- Make sure to install the bottle as in Catalogue.
- Make sure to use the proper capacity (≤ 20) litre for the water bottle.

Product description

Parts names



- 1 Hole punch for water bottle
- 2 Child safety switch
- 3 Hot water button
- 4 Ambient water button
- 5 Cold water button
- 6 Spout
- 7 Water collector grid
- 8 Storage space
(For some models)

- 9 Cooling switch
- 10 Heating switch
- 11 Power cord
- 12 Condenser
- 13 Outlet of cold water
- 14 Outlet of hot water

Installation

Placement

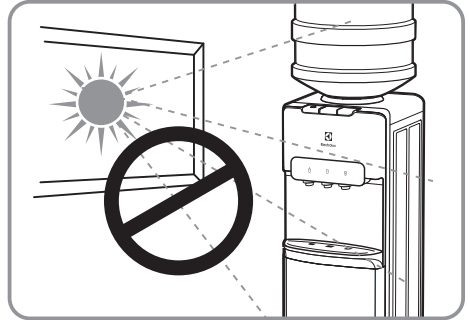
Use the appliance indoors, where is no likelihood of rain or bad weather, as there is damage risk to the product electrical system.

The product must be installed in an easily accessible location in case of repairs.

Put the appliance on a flat surface and keep a minimum distance of 25 cm from the wall. Make sure that the ventilation openings of the product are not being obstructed.

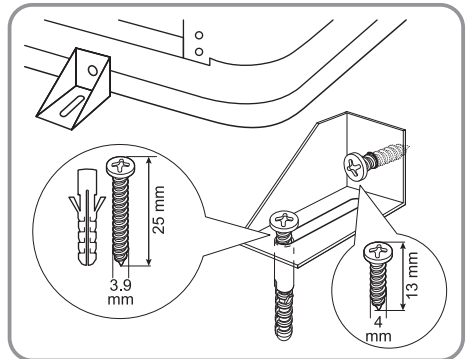
To avoid a hazard due to instability of the appliance, it must be fixed in accordance with the instructions:

1. Use 13 mm screw to fix the fixing bracket on the middle of bottom cover.
2. Drill out a screw hole(6 mm) on the floor.
3. Insert a screw anchor (wall plug) into the drilled hole.
4. Move water dispenser, Align fixing bracket hole with screw hole of the floor
5. Put the 25mm screw into the screw hole of fixing bracket.
6. Tighten the screw.



Important

Do not install the water dispenser in a location where there is a direct impact of sunlight or near heat sources, as a stove, oven, etc.



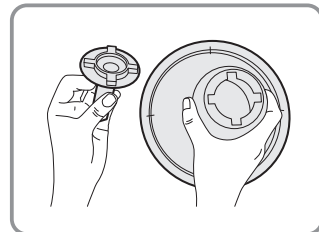
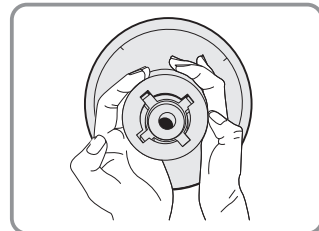
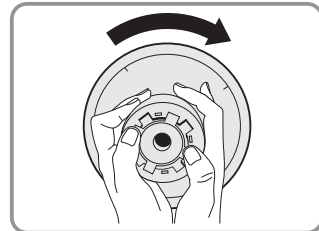
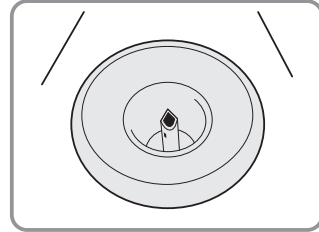
Warning

Do not plug in the device unless the water bottle is already installed and the system is full of water.

Installing the water bottle

Before putting the water bottle:

1. Clean the inside of the water cooler, where the water bottle is placed, with warm water and mild detergent and sterilize as indicated in Care and cleaning section.
2. Clean and sterilize also the water bottle, especially the part that will be inside the water cooler.
3. Leave the protective plastic cap on the bottle, where The product has a hole punch.



If the user prefers not to use the hole punch, you can pull it off. follow the next instructions:

1. Remove the top cover with the hole punch.
2. Turn clockwise the hole punch to fit it in tears.
3. Remove the hole punch.
4. Replace the lid on the water dispenser.
5. Place the water bottle at the water cooler and make sure that it is well docked.

This product was developed to be used with bottles of 10 or 20 litres. Depending on the maker and model of the water bottle, there may be some variation in size. Check, during installation of the bottle, that it is well supported and stable, and there is no risk of falling.

Attention

Never turn the appliance upside down or tilt it more than 45°.

Electrical installation

A short power-supply cord is provided to reduce the risks resulting from becoming entangled in or tripping over a longer cord.

Connect the plug firmly, if the product is connected to an adaptor plug or extension cord, be sure it is not in an area where it will be exposed to water.

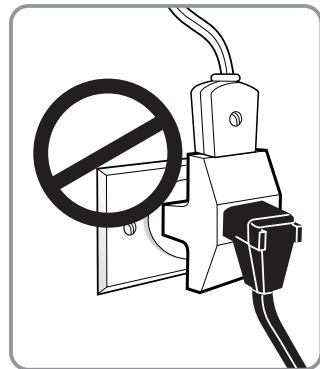
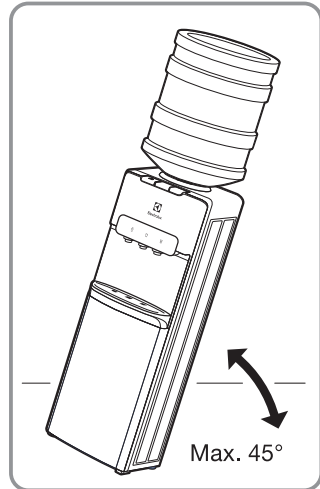
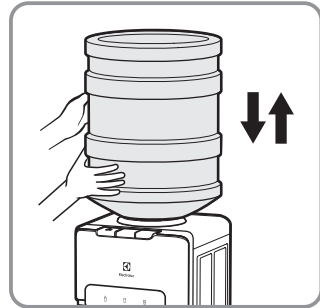
After placing the water dispenser, check if it is not over the power cord.

Important

We do not recommend the use of an extension cord or adapter plug.

Do not fasten, twist or tie the power cord.

Do not try to fix it. If it is damaged, request the visit of a professional technician. If the power cord is damaged, it should be replaced by the service centre technician.



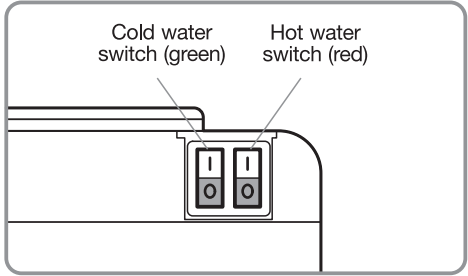
How to use

Activate heating and cooling

This unit will not dispense hot or cold water until the switchers are activated.

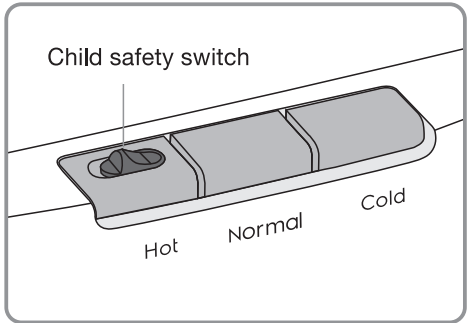
To activate, push top side of power switches in to start heating and cooling water:

- If you do not want to heat water, push bottom side of red switch in.
- If you do not want to cool water, push bottom side of green switch in.



Dispensing water

This unit has been tested and sanitized prior to packing and shipping. During transit dust and odors can accumulate in the tank and lines. Dispense and dispose at least one quart of water prior to drinking any water.



Hot water

To get the hot water: slide the child safety switch to right, and press hot water button simultaneously.

Normal water

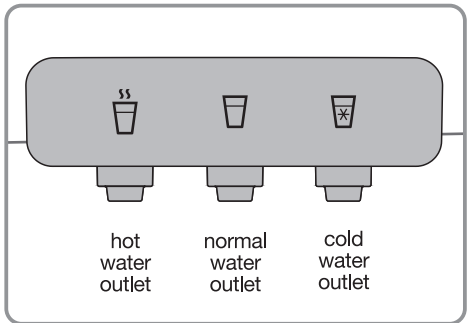
To get the room temperature water: put the cup on the water collector grid and press the natural water button.

Cold water

To obtain chilled water put the cup on the water collector grid and press the cold water button.

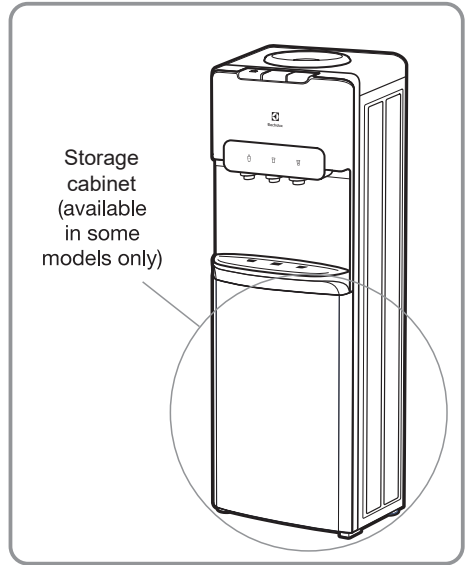
Attention

Never press more than one button at the same time.



Storage with or without cabinet
(cabinet available in some models only)

In some models there is a hermetic storage cabinet. Do not store any food at this non-refrigerated storage.



Attention

- When the machine is under the ice point and blocked by ice, the cooling switch must be closed for 4 hours before turning it on again to continue its operation.
- This machine should not be turned on until 3 minutes later after turning off the power switch.
- Do not operate or stop the appliance plugged in by the power cord or by pulling on the power cord. Unplug the power cord by holding it by the plug.
- In case cold or hot water is not needed for a long time, turn off the respective power switch.
- Food and fruits should not be placed on non-refrigerated models to prevent putrefaction.

Care and cleaning

This unit has been tested and sanitized prior to packing and shipping. During transit dust and odors can accumulate in the tank and lines. Dispense and dispose at least one quart of water prior to drinking any water.

Wipe with a soft, clean piece of cloth in part outside of water dispenser regularly.

The water inside the bottle must not contain chlorine additive. So it's very important that the inside of the water dispenser is sterilized and clean.

Do not touch the water outlet to avoid its contamination. The water reservoir must be cleaned and sterilized every 3 months.

Water will fall from the water collector if it is completely filled with water, please empty the water collector periodically.

Never clean your water cooler with flammable fluids such as alcohol, kerosene, gasoline, paint thinner, solvents, chemicals or abrasives as detergents, acids, vinegar or products that might leave the smell.

Wipe the outside of the water dispenser with water and neutral detergent.

Do not use chemical cleaners or volatile solvents, because the product can lose brightness and colour.



Procedure for cleaning & sterilization of the appliance

1. Disconnect the appliance from power source.
2. Remove the water bottle and empty water reservoir through pressing the buttons until there is no water coming out.
3. Open the drainage cap, existing at the back of the dispenser, and ensure that all the water flow out of the appliance.
4. Prepare a chlorinated solution (2 litres of clean water and 0.5 tea spoon of bleach).
5. Place the chlorinated solution in an empty bottle of water and fill your water dispenser.
6. Wait 10 minutes for the chlorinated solution take effect and remove all the water through the drain.
7. Fill 1/3 of the bottle with clean water. Replace the bottle and remove all the water by triggers and drainage cap. This will rinse the tanks and the triggers of your product.

Warning

Always disconnect the water dispenser from power source before cleaning it or doing any maintenance.

Troubleshooting

Certain problems are due to lack of simple maintenance or oversights, which can be solved easily without calling the service technicians, before contacting the service center please carry out the check listed below.

Problem	Possible cause(s)	Solution
Does not work	<ul style="list-style-type: none"> a) Electric plug out of the socket. b) Bonded in different voltage. c) Lack of electric power or fuse blown. d) Make sure cold water switch in the rear side of dispenser is ON. e) Voltage drop. 	<ul style="list-style-type: none"> a) Plug in. b) Connect in correct voltage. c) Wait for electric power ON or change fuse. d) Push the switches to the ON position. e) Use a voltage stabilizer.
Water not cold from cold tank	<ul style="list-style-type: none"> a) Electric plug out of the socket. b) After setup, it will take up to 1 hour to chill the water until minimal set temperature. c) Make sure cold water switch in the rear side of dispenser is ON. 	<ul style="list-style-type: none"> a) Plug in. b) Wait one hour for the cold water supply. c) Push the cold water switch (green) to the ON position.
Water not hot from hot tank	<ul style="list-style-type: none"> a) Electric plug out of the socket. b) After setup, it will take up to 15-20 min to heat the water until maximal set temperature. c) Make sure hot water switch in the rear side of dispenser is ON. 	<ul style="list-style-type: none"> a) Plug in. b) Wait 15-20 min. for the heat water supply. c) Push the hot water switch (red) to the ON position.
Excessive heating around dispenser body	<ul style="list-style-type: none"> a) The appliance very close to a wall. b) Ventilation vents obstructed. 	<ul style="list-style-type: none"> a) The appliance must be at least 25 cm from the wall. b) Clear the ventilation vents.
Noise	<ul style="list-style-type: none"> a) Product leaning on the wall. b) Uneven placement. 	<ul style="list-style-type: none"> a) The appliance must be at least 25 cm from the wall. b) Even the appliance.
Water leakage	<ul style="list-style-type: none"> a) A hole or a crack in the bottle. b) Overflow in the water collector. c) Drainage cap not well tightened. 	<ul style="list-style-type: none"> a) Replace the water bottle. b) Empty the water collector. c) Tighten the cap.

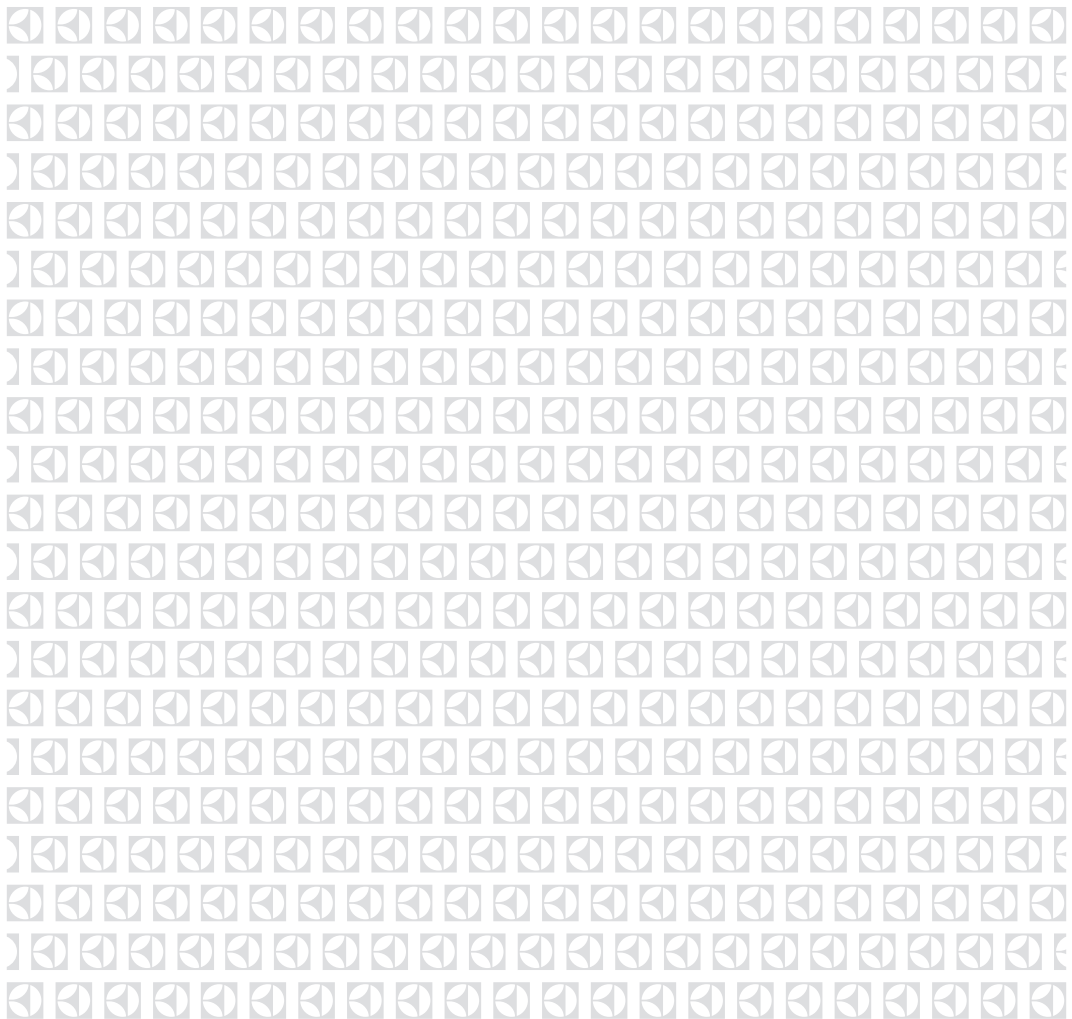
Problem	Possible cause(s)	Solution
Steam coming out of dispenser	a) Excessive heating inside the hot water tank.	a) Disconnect the main power source and call service centre.
Unpleasant taste of water	a) Cleaning is made with non recommended material. b) Poor-quality water. c) Water bottle shoddy.	a) Follow cleaning/sterilization procedure correctly. b) Make sure that the mineral water supplier is of good quality. c) Replace the water bottle.

Technical informations

MODEL	WITH CABINET
	EDBMFSCSG
Volt-Freq.	220-240V~ 50/60Hz
Rated power	530 W
Heating power	450 W
Cooling power	80 W
Cold water	2L/h($\leq 10^{\circ}\text{C}$)
Heat water	4L/h($\geq 90^{\circ}\text{C}$)
Environmental temp.	10~43°C
Humidity	$\leq 90\%$
Net weight	12,05 kg
Prod. dimens. W*D*H (mm)	310*343*931

MODEL	WITHOUT CABINET)
	EDBMFSXWG
Volt-Freq.	220-240V~ 50/60Hz
Rated power	530 W
Heating power	450 W
Cooling power	80 W
Cold water	2L/h($\leq 10^{\circ}\text{C}$)
Heat water	4L/h($\geq 90^{\circ}\text{C}$)
Environmental temp.	10~43°C
Humidity	$\leq 90\%$
Net weight	11,2 kg
Prod. dimens. W*D*H (mm)	310*343*931

NOTES





مع خزانة التخزين	الطرز
EDBMFSCSG	
220 - 240 فولت - 60/50 هيرتز	الفولت - التردد
530 واط	الطاقة القصوى
450 واط	طاقة التسخين
80 واط	طاقة التبريد
2 لتر / الساعة	المياه الباردة
4 لتر / الساعة	المياه الساخنة
10 ~ 43 درجة مئوية	درجة الحرارة البيئية
≤90%	الرطوبة
12,05 كجم	الوزن الصافي
931*343*310	أبعاد المنتج العرض * العمق * الطول (مم)

بدون خزانة التخزين	الطرز
EDBMFSXWG	
220 - 240 فولت - 60/50 هيرتز	الفولت - التردد
530 واط	الطاقة القصوى
450 واط	طاقة التسخين
80 واط	طاقة التبريد
2 لتر / الساعة	المياه الباردة
4 لتر / الساعة	المياه الساخنة
10 ~ 43 درجة مئوية	درجة الحرارة البيئية
≤90%	الرطوبة
11,2 كجم	الوزن الصافي
931*343*310	أبعاد المنتج العرض * العمق * الطول (مم)

المشكلة	السبب (الأسباب) الممكن	الحل
خروج البخار من الموزع	أ) يوجد تسخين مفرط داخل خزان المياه الساخنة.	أ) افصل مصدر الطاقة الرئيسي واتصل بمركز الصيانة.
مذاق المياه كريه	أ) قد يكون الجهاز نُظف بمواد غير موصى بها. ب) قد تكون المياه غير جيدة / غير نظيفة. ج) قد تكون زجاجة المياه رديئة.	أ) اتبع إجراءات التنظيف / التعقيم بشكل صحيح. ب) تأكد من أن مورد المياه المعدنية يورد مياهًا ذات نوعية جيدة. ج) استبدل زجاجة المياه.

ترجع بعض المشاكل إلى عدم وجود صيانة بسيطة أو إشراف، والتي يمكن حلها بسهولة عبر إجراء الفحص المذكور أدناه أولاً دون الاتصال بفنيي الخدمة وقيل الاتصال بمركز الخدمة.

المشكلة	السبب (الأسباب) الممكن	الحل
الجهاز لا يعمل	<p>(أ) قد يكون القابس الكهربائي خارج المقبس.</p> <p>(ب) قد يكون موصل بفولتية مختلفة.</p> <p>(ج) قد يكون بسبب نقص الطاقة الكهربائية أو الفيوز محترق.</p> <p>(د) تأكد من تشغيل مفتاح المياه الباردة في الجانب الخلفي من الموزع.</p> <p>(هـ) قد يكون بسبب انخفاض الجهد.</p>	<p>(أ) صل القابس الكهربائي بالمقبس.</p> <p>(ب) صل الجهاز بالفولتية الصحيحة.</p> <p>(ج) انتظر حتى تعود الطاقة الكهربائية أو استبدل الفيوز.</p> <p>(د) ادفع المفاتيح إلى وضع التشغيل.</p> <p>(هـ) استخدم مثبت الجهد.</p>
لا تأتي مياه باردة من الخزان البارد	<p>(أ) قد يكون القابس الكهربائي خارج المقبس.</p> <p>(ب) بعد الإعداد والتركييب، سيستغرق تبريد الماء ما يصل إلى ساعة واحدة حتى تصل إلى درجة الحرارة الدنيا المحددة.</p> <p>(ج) تأكد من تشغيل مفتاح المياه الباردة في الجانب الخلفي من الموزع.</p>	<p>(أ) صل القابس الكهربائي بالمقبس.</p> <p>(ب) انتظر ساعة واحدة لإمداد المياه الباردة.</p> <p>(ج) ادفع زر المياه الباردة (أخضر) إلى وضع التشغيل.</p>
لا تأتي مياه ساخنة من الخزان الساخن	<p>(أ) قد يكون القابس الكهربائي خارج المقبس.</p> <p>(ب) بعد الإعداد والتركييب، سيستغرق تسخين الماء من 15 إلى 20 دقيقة حتى تصل إلى درجة الحرارة القصوى المحددة.</p> <p>(ج) تأكد من تشغيل مفتاح الماء الساخن في الجانب الخلفي للموزع.</p>	<p>(أ) صل القابس الكهربائي بالمقبس.</p> <p>(ب) انتظر من 15 إلى 20 دقيقة لإمداد المياه الساخنة.</p> <p>(ج) ادفع زر المياه الساخنة (أحمر) إلى وضع التشغيل.</p>
تسخين مفرط حول جسم الموزع	<p>(أ) قد يكون الجهاز قريب جداً من الحائط.</p> <p>(ب) قد يكون بسبب انسداد فتحات التهوية.</p>	<p>(أ) يجب أن يكون الجهاز على بُعد 25 سم على الأقل من الحائط.</p> <p>(ب) نظف فتحات التهوية.</p>
ضوضاء	<p>(أ) المنتج متكئ على الحائط.</p> <p>(ب) وضعية الجهاز غير متساوية.</p>	<p>(أ) يجب أن يكون الجهاز على بُعد 25 سم على الأقل من الحائط.</p> <p>(ب) ضع الجهاز بشكل مستو.</p>
تسريب المياه	<p>(أ) يوجد ثقب أو شق في الزجاجية.</p> <p>(ب) يوجد فائض في جامع المياه.</p> <p>(ج) يكون غطاء التصريف غير مغلق بشكل جيد.</p>	<p>(أ) استبدل زجاجة المياه.</p> <p>(ب) أفرغ جامع المياه.</p> <p>(ج) أغلق الغطاء جيداً.</p>

إجراءات تنظيف وتعقيم الجهاز

1. افصل الجهاز عن مصدر الطاقة.
2. قم بإزالة زجاجة المياه وخزان الماء من خلال الضغط على الأزرار حتى لا يخرج الماء.
3. افتح غطاء التصريف، الموجود في الجزء الخلفي من الموزع، وتأكد من تدفق الماء خارج الجهاز.
4. قم بإعداد محلول مكلور (2 لتر من الماء النظيف و 0.5 ملعقة صغيرة من المبيض).
5. ضع المحلول المكلور في زجاجة ماء فارغة واملأ موزع المياه.
6. انتظر 10 دقائق حتى يبدأ تأثير المحلول المكلور ثم أزل كل الماء من خلال المصرف.
7. املأ ثلث الزجاجة بالماء النظيف. استبدل الزجاجة وأزل كل الماء عن طريق زر رش رذاذ الماء وغطاء الصرف. سيؤدي ذلك إلى شطف الخزانات وتنظيف منتجك.

تحذير

افصل دائماً موزع المياه عن مصدر الطاقة قبل تنظيفه أو إجراء أي صيانة.

العناية والتنظيف

تم اختبار هذه الوحدة وتعقيمها قبل التعبئة والشحن. أثناء العبور يمكن أن يتراكم الغبار أو الروائح في الخزان وبين الخطوط. قم بتصريف والتخلص من ربع لتر من الماء على الأقل قبل شرب أي ماء.

امسح موزع المياه بقطعة قماش ناعمة ونظيفة من الجزء الخارجي بانتظام.



يجب ألا يحتوي الماء داخل الزجاجاة على مادة الكلور المضافة. لذا من المهم جدًا أن يتم تعقيم وتنظيف موزع المياه من داخل.

لا تلمس مخرج الماء لتجنب تلوثه. يجب تنظيف وتعقيم خزان المياه كل 3 شهور.

يسقط الماء من جامع الماء إذا كان مملوءًا بالماء تمامًا، لذا يرجى تفريغ جامع الماء بشكل دوري.

لا تنظف أبدًا مبرد المياه بالسوائل القابلة للاشتعال مثل الكحول أو الكيروسين أو البنزين أو مخفف الدهان أو المذيبات أو المواد الكيميائية أو المواد الكاشطة. كمنظفات أو أحماض أو خل أو منتجات قد تترك رائحة.

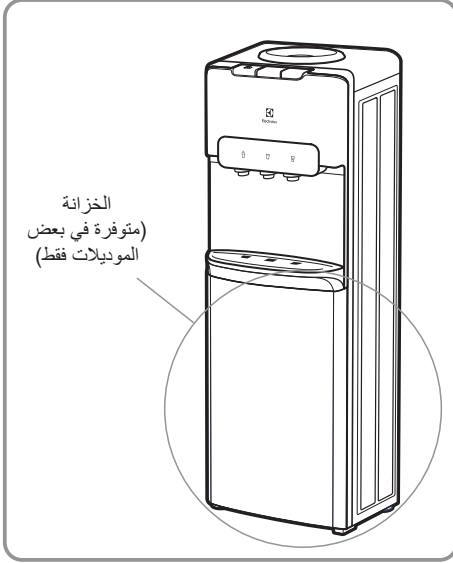
امسح الجزء الخارجي لموزع المياه بالماء والمنظف الطبيعي.



لا تستخدم المنظفات الكيميائية أو المذيبات المتطايرة، لأنه من الممكن أن يفقد المنتج السطوع واللون.

التخزين مع أو بدون خزانة (الخزانة متوفرة في بعض الموديلات فقط)

تأتي بعض الموديلات مع خزانة محكمة الإغلاق.
لا تقم بتخزين أي طعام في هذا المخزن غير المبرد.



يرجى الانتباه

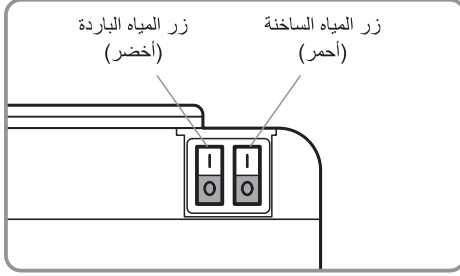
- يجب إغلاق مفتاح التبريد لمدة 4 ساعات قبل تشغيله مرة أخرى لمواصلة تشغيله عندما يكون الجهاز تحت نقطة التجمد وقد تسددت بالتلج.
- لا يجب تشغيل هذا الجهاز إلا بعد 3 دقائق بعد إيقاف تشغيل مفتاح التشغيل.
- لا تقم بتشغيل أو إيقاف تشغيل الجهاز عبر توصيله بكابل الطاقة أو بسحب كابل الطاقة. افصل كابل الطاقة عن طريق امسأكه من القابس.
- في حالة عدم الحاجة إلى الماء البارد أو الساخن لفترة طويلة، قم بإيقاف تشغيل مفتاح الطاقة.
- يجب عدم وضع الأطعمة والفواكه في الطرازات التي لا تحتوي على ثلاجة لمنع التعفن.

كيفية الاستخدام

تنشيط وضع التبريد والتسخين

هذا لن يوزع المياه الساخنة أو الباردة إلى ان يتم تنشيط المفاتيح. لإجراء عملية التنشيط ادفع مفاتيح التشغيل للجانب العلوي لبدء عملية تسخين وتبريد المياه:

- إن كنت لا تريد مياه ساخنة، ادفع الزر جانبًا إلى الجانب الأحمر.
- إن كنت لا تريد مياه باردة، ادفع الزر جانبًا إلى الجانب الأخضر.



موزع المياه

تم اختبار هذه الوحدة وتعقيمها قبل التعبئة والشحن. أثناء العبور يمكن أن يتراكم الغبار أو الروائح في الخزان وبين الخطوط. قم بتصريف والتخلص من ربع لتر من الماء على الأقل قبل شرب أي ماء.

المياه الساخنة

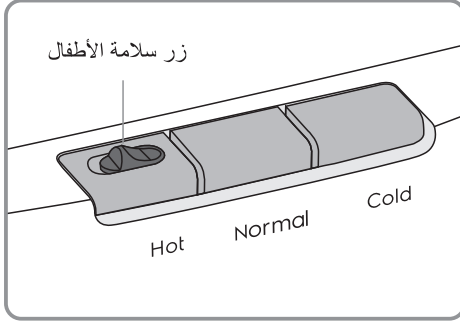
للحصول على المياه الساخنة: اسحب زر سلامة الأطفال إلى اليمين واضغط على زر المياه الساخنة بالتزامن.

المياه العادية

للحصول على مياه في درجة حرارة الغرفة: ضع الكوب فوق شبكة تجميع المياه واضغط على زر المياه العادية.

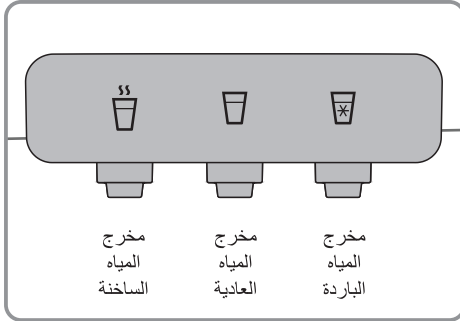
المياه الباردة

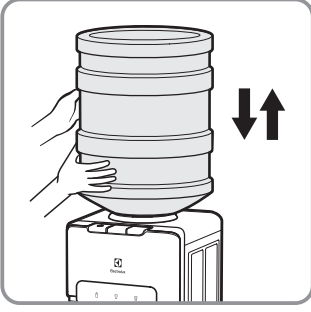
للحصول على مياه باردة: ضع الكوب فوق شبكة تجميع المياه واضغط على زر المياه الباردة.



يرجى الانتباه

لا تضغط أبدًا على أكثر من زر في الوقت ذاته.

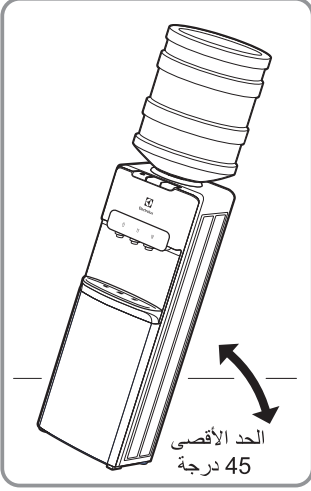




تم تطوير هذا المنتج لاستخدامه بزجاجات ذات سعة 10 أو 20 لترًا. اعتمادًا على الجهة المصنعة لزجاجة المياه والموديل، قد يكون هناك بعض الاختلاف في الحجم. تحقق أثناء تركيب الزجاجة من أنها مدعومة جيدًا ومستقرة لتجنب خطر السقوط.

يرجى الانتباه

لا تقم أبدًا بقلب الجهاز رأسًا على عقب أو إمالته أكثر من 45 درجة.



التركيب الكهربائي

يتم توفير سلك قصير لإمداد الطاقة لتقليل المخاطر الناتجة عن التورط أو التعثر في سلك أطول.

قم بتوصيل القابس بإحكام، وإذا كان المنتج متصلًا بقابس محول أو سلك تمديد، فتأكد من أنه ليس في منطقة سيتعرض فيها للماء.

بعد وضع موزع المياه، تحقق من أنه ليس فوق سلك الطاقة.

تعليمات مهمة

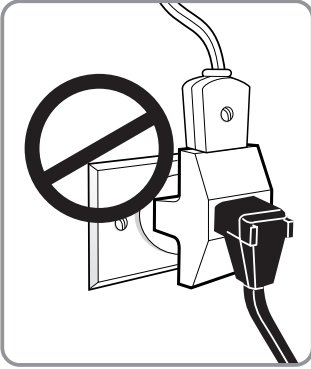
لا نوصي باستخدام أي سلك توصيل أو قابس تحويل.

تجنب شد سلك الطاقة أو ثنيه أو عقده.

ولا تحاول إصلاحه. وإذا كان تالفًا، فاطلب زيارة فني محترف.

في حالة تلف سلك الطاقة، فيجب عليك

استبداله من خلال فني مركز الخدمة.



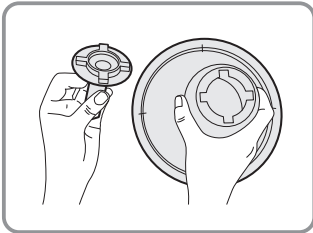
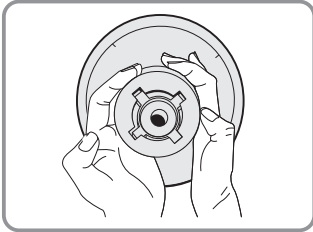
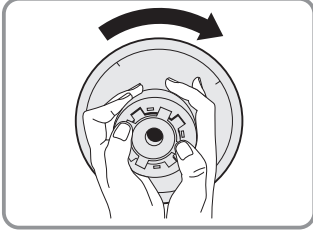
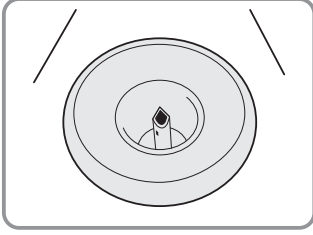
تركيب زجاجة المياه

قبل وضع زجاجة المياه:

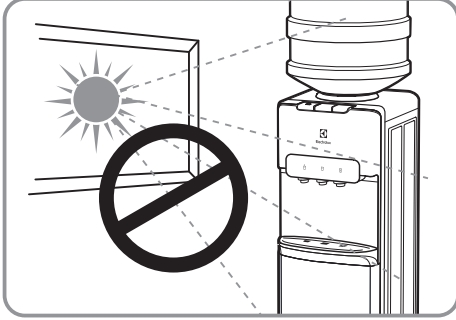
1. نظف مبرد المياه من الداخل في المكان الذي توضع فيه زجاجة المياه باستخدام الماء الدافئ ومنظف معتدل والتعقيم كما هو موضح في قسم العناية والتنظيف.
2. قم بتنظيف وتعقيم زجاجة المياه، وخاصة الجزء الذي يكون داخل مبرد المياه.
3. اترك الغطاء البلاستيكي الواقى على الزجاجة، حيث يحتوي المنتج على فتحة مرتكز الزجاجة.

إذا كان المستخدم يفضل عدم استخدام فتحة مرتكز الزجاجة، فيمكنه سحبها باتباع التعليمات التالية:

1. أزل الغطاء العلوي عن فتحة مرتكز الزجاجة.
2. ثم لفه باتجاه عقارب الساعة للثبيت في الفتحة.
3. أزل فتحة مرتكز الزجاجة.
4. استبدل غطاء موزع المياه.
5. ضع زجاجة الماء في مبرد المياه وتأكد من إرسائها جيدًا.



وضع الجهاز



استخدم الجهاز داخل المنزل، حيث لا يوجد احتمال لتساقط الأمطار أو سوء الأحوال الجوية، ولا يوجد خطر تلف للنظام الكهربائي للمنتج.

يجب تركيب المنتج في مكان يسهل الوصول إليه في حالة إجراء الإصلاحات.

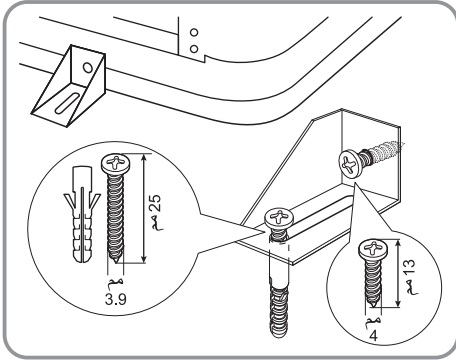
ضع الجهاز على سطح مستوٍ واطرك مسافة 25 سم بحد أدنى بين الجهاز والحائط. تأكد من أنه لا يوجد عائق في فتحات التهوية الخاصة بالمنتج.

تعليمات مهمة

يجذر تركيب موزع المياه في المكان الذي فيه تأثيرًا لضوء الشمس المباشر أو بالقرب من مصادر الحرارة مثل الموقد والفرن وما إلى ذلك.

يجب تركيب الجهاز وفقًا للتعليمات لتجنب المخاطر الناتجة عن عدم ثبات الجهاز:

1. استخدم مسامير بحجم 13 مم لتثبيت قاعدة التثبيت في منتصف غطاء الجزء الأوسط.
2. انقب ثقبًا للمسمار (6 مم) في الأرضية.
3. أدخل المسمار اللولبي (قابس حائط) في الفتحة المثقبة.
4. حرك موزع المياه، ثم قم بمحاذاة فتحة قوس التثبيت مع ثقب المسمار للأرضية.
5. ضع مساميرًا لولبيًا بحجم 25 مم في ثقب المسمار الخاص بقاعدة التثبيت.
6. اربط المسمار.

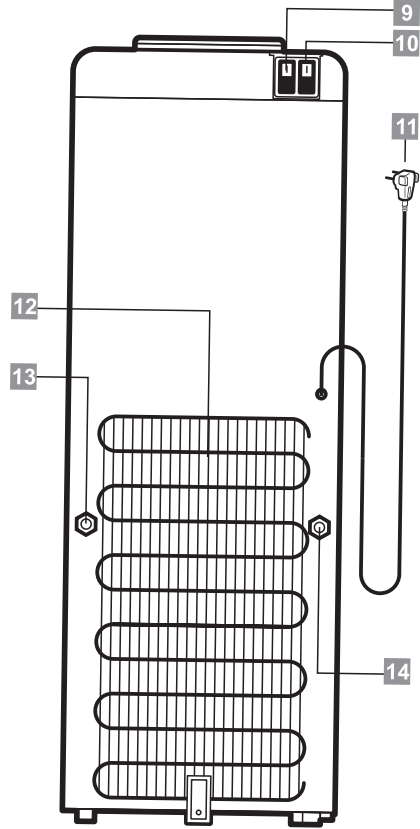
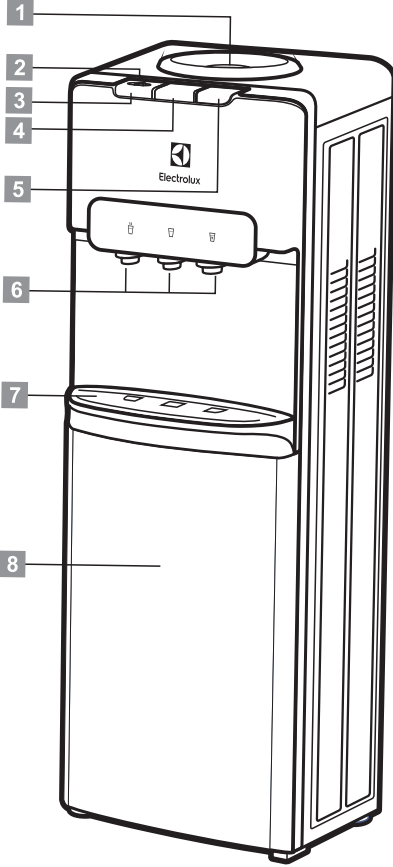


تحذير

لا تضع قابس الجهاز في مصدر التيار الكهربائي ما لم تكن زجاجة المياه مركبة بالفعل والنظام ممتلئ بالماء.

وصف المنتج

أسماء الأجزاء



- 9 زر التبريد
- 10 زر التسخين
- 11 كابل الطاقة
- 12 موزع
- 13 منفذ المياه الباردة
- 14 منفذ المياه الساخنة

- 1 فتحة مرتكز زجاجة المياه
- 2 زر سلامة الأطفال
- 3 زر المياه الساخنة
- 4 زر محيط المياه
- 5 زر المياه الباردة
- 6 صنبور
- 7 شبكة تجميع المياه
- 8 مساحة التخزين
(لبعض الموديلات)

• تم صنع واختبار هذا الجهاز وفقاً للوائح المعمول بها.

• لا "تقم" بتخزين "المواد المتفجرة" مثل "علب الأيروسول" التي "تحتوي" على "مادة" دافعة "قابلة" للاشتعال "في" هذا "الجهاز"

التركيب

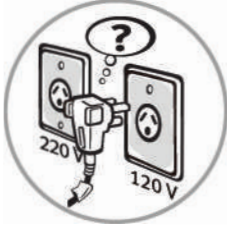
- اتبع تعليمات التركيب المتوفرة مع الجهاز.
- أزل جميع العناصر المعبنة.
- لا تركيب أو تستخدم جهازاً تالفاً.
- قبل وقت التشغيل الأول، افحص الجهاز لضمان عدم وجود أي تلف حدث أثناء النقل.
- لا تزيل أبداً أو تتلف أي ملصق أو ملصقات تحذيرية أو الملصقات التي تحمل اسم ملحقات بالجهاز.

التوصيل الكهربى

- ضع فقط مقبس موزع المياه مباشرةً في قابس التيار في حالة تم تأريض هذا التيار بشكل صحيح بالفولت المحدد.
- اختر مكان قريب من منفذ التيار الكهربى الذي تم تأريضه.
- تأكد من أن الجهاز مركب بالشكل الصحيح. يمكن للكابل أو قابس التيار الكهربى المتحرر أو غير الصحيح (إن وجد) أن يجعل الاطراف ساخنة جداً.
- تأكد من أن جميع المعلومات الكهربىة على لوحة التصنيف تتوافق مع مصدر التيار الكهربى. وإذا لم تكن متوافقة فيرجى التواصل مع مركز الخدمة المعتمد لدينا أو فنى كهرباء.
- يحتوي الجهاز على زر التشغيل الكهربى في الجانب الخلفى والذي قد وضع لتشغيل أو قفل نظام تسخين وتبريد المياه.
- لا تستخدم الوصلات ذات القوابس المتعددة ولا كابلات التطويل.
- تأكد من عدم حدوث تلفيات لمقبس التيار الرئسى (إن كان متاحاً) أو للكابلات الرئسىة. وفي حالة تغيير كابلات التيار الرئسىة التالفة فيرجى التواصل مع مركز الخدمة المعتمد لدينا أو فنى كهرباء.

توصيل المياه

- تأكد من استخدام زجاجة مياه جديدة.
- تأكد من عدم وجود عيوب في زجاجة المياه - بحيث ألا يكون بها تسريب ولا ثقوب.
- تأكد من تركيب الزجاجة كما في الكتالوج.
- تأكد من أنك تستخدم زجاجة مناسبة بسعة لا تزيد عن 20 لتر ماء.



- هذا الجهاز غير مخصص لاستخدام الأشخاص (بما في ذلك الأطفال) من ذوي القدرات البدنية أو الحسية أو العقلية المحدودة، أو ممن لديهم نقص الخبرة والمعرفة، ما لم يتم الإشراف عليهم أو توجيه التعليمات المتعلقة باستخدام الجهاز من جانب شخص مسؤول عن سلامتهم.
- يجب الإشراف على الأطفال لضمان عدم عبثهم بالجهاز.

السلامة العامة

- من المهم للغاية أن يتم الاحتفاظ بدليل التعليمات هذا مع الجهاز للرجوع إليه في المستقبل. في حالة بيع أو نقل الجهاز إلى مالك آخر، أو إذا انتقلت إلى منزل آخر وتركت الجهاز، فتأكد دائماً أن تضع الدليل مع الجهاز حتى يستطيع المالك الجديد من معرفة وظائف الجهاز والتحذيرات المتعلقة به.
- لا يعتمد الأداء الوظيفي للجهاز على جودة المنتج فقط، ولكن يعتمد على التركيب الصحيح من الفنيين المؤهلين.
- لا تزيل أبداً أو تتلف أي ملصق أو ملصقات تحذيرية أو الملصقات التي تحمل اسم ملحقات بالجهاز.
- يلتزم الفني المؤهل الذي يجري عملية التركيب بمراعاة المعايير واللوائح المحلية المتعلقة بتوصيل نظام توزيع المياه وشبكة الكهرباء. لا تكون شركة التصنيع مسؤولة عن أي تركيب غير فني أو غير صحيح.
- تأكد من أن المعلومات المدونة على لوحة تعريف الجهاز هي نفس المعلومات الخاصة بمزود الطاقة الكهربائية. إذا كان كابل الإمداد بالطاقة تالف، فيجب استبداله من قبل المصنع، أو وكيل الخدمة أو فني مؤهل لتجنب أي مخاطر.
- تحذير: حافظ على فتحات التهوية الموجودة في حاوية الجهاز أو في الهيكل المدمج بدون أي عوائق أمامها.
- تحذير: لا تستخدم أي أجهزة ميكانيكية أو أي وسائل أخرى لتسريع عملية إذابة الثلج غير تلك الوسائل التي يوصي بها المصنع.
- تحذير: لا تلمس الضرب بدائرة التبريد.
- تحذير: لتجنب المخاطر الناجمة عن عدم استقرار الجهاز، يجب تثبيته وفقاً للتعليمات.
- تم تصميم هذا الجهاز للاستخدامات المنزلية والاستخدامات المشابهة مثل:
 - مناطق المطابخ للعاملين في المحلات التجارية والمكاتب وبيئات العمل الأخرى.
 - البيوت الريفية ونزلاء الفنادق والموتيلات وغيرها من البيئات السكنية.
 - بيئات المبيت والإفطار.
 - أماكن تقديم الطعام والاستخدامات المماثلة غير المتعلقة بالبيع بالتجزئة

3 السلامة
5 وصف المنتج
6 التركيب
9 كيفية الاستخدام
11 العناية والتنظيف
13 حل المشكلات
15 المعلومات الفنية

يرجى الانتباه

- من الممكن أن يكون هذا الجهاز الذي اشتريته مختلفًا قليلاً عن هذا الموضح في هذا الدليل. يرجى الرجوع إلى المعلومات المتعلقة بالطراز الذي لديك.
- من الممكن أن يكون هذا الجهاز الذي اشتريته يحمل مقيسًا مختلفًا عن هذا الموضح في هذا الدليل. حيث إن المقيس الذي يأتي مع هذا المنتج يتبع المواصفات الكهربائية للبلد الذي بيع فيها الجهاز.
- يرجى التواصل مع فنيي الخدمة المعتمدين لإصلاح أو صيانة الوحدة.
- في حالة استبدال كابل الطاقة، فإن الذي يقوم بهذا الاستبدال هم الموظفون المعتمدون فقط.
- تم تطوير هذا المنتج كي يتناسب مع المناطق التي يبلغ ارتفاعها حوالي 2000 متر. بالنسبة للمناطق الأعلى، فمن الممكن أن تكون نقطة غليان المياه منخفضة جدًا وتسبب تلف المنتج.

لتقليل خطر الإصابة، أو حدوث خسارة بالملكات، يجب على المستخدم قراءة الإرشادات بالكامل قبل إجراء عملية الجمع والتركيب والتشغيل للموزع.

ويمكن أن يؤدي عدم اتباع التعليمات الواردة في هذا الدليل إلى حدوث إصابات شخصية أو التلف في الملكيات. يوزع هذا المنتج مياه بدرجة حرارة عالية للغاية. ويمكن أن يؤدي عدم الاستخدام المناسب إلى حدوث إصابات شخصية.

عند تشغيل هذا الموزع، اتبع دائمًا احتياطات السلامة الأساسية بما في ذلك ما يلي:

تحذير: عند وضع الجهاز، تأكد من عدم احتجاز سلك الإمداد أو تلفه -

تحذير: لا تضعوا العديد من منافذ المقابس المحمولة أو مصادر الطاقة المحمولة في الجزء الخلفي من الجهاز -

شكرًا لكم على اختيار شركة إيكترولكس.
تم تطوير موزعات الماء لدينا باستخدام معايير الجودة والمعايير الفنية العليا مع إضافة ميزات لتوفير لك الأمان.
يرجى قراءة جميع التعليمات قبل استخدام هذا الجهاز. فهذا الدليل يحتوي على معلومات قيّمة بشأن التشغيل
والعناية والخدمة. احتفظ بهذا الجهاز في مكان آمن.
إنك تتوقع كل هذا من شركة إيكترولكس... ونحن نفي بتوقعاتك.

النصائح البيئية

تكون المواد المستخدمة في التغليف قابلة لإعادة التدوير، ولذا نوصيكم
بفصل البلاستيك والأوراق والكرتون وإعطائها إلى شركات إعادة التدوير.

وفقًا لإرشادات توجيه النفايات الكهربائية والأجهزة الإلكترونية،
يجب جمع النفايات الكهربائية والإلكترونية على نحو منفصل.

في حال كنت تريد التخلص من هذا الجهاز في المستقبل،
فلا تلقيه مع باقي النفايات المحلية.

لكن بدلًا من ذلك، يرجى إرسال الجهاز إلى أقرب نقطة جمع نفايات
تابعة لتوجيه النفايات الكهربائية والأجهزة الإلكترونية متى كان هذا متاحًا.



يرجى الانتباه

سوف تجد بالداخل نصائح تساعدك في كيفية استخدام موزع المياه وصيانته بشكلٍ مناسب. حيث تقديم القليل فقط
من العناية الوقائية من جانبك يمكن أن يوفر عليك كثيرًا من الوقت والمال خلال العمر الافتراضي لموزع المياه.
سوف تجد الإجابات على المشاكل العامة في الرسم البياني لنصائح استكشاف الأخطاء وإصلاحها. فإذا اطلعت على
الرسم البياني لنصائح استكشاف الأخطاء وإصلاحها أولاً، فمن الممكن ألا تحتاج إلى الاتصال بالخدمة على أي
حال.



EDBMFSXWG
EDBMFSCSG

