

**EDBMFDXWG**  
**EDBMFDXSG**



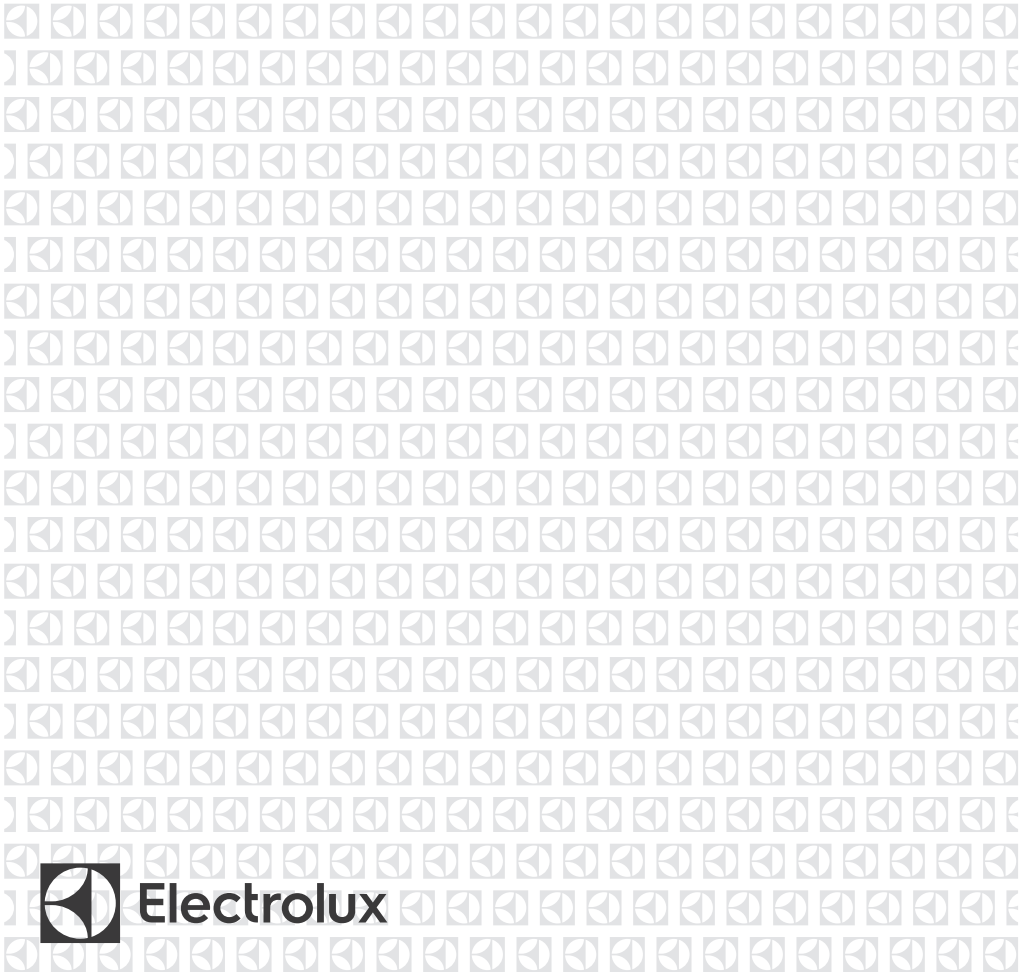
---

EN

---

USER MANUAL

1



# Welcome

Thank you for choosing Electrolux.

Our water dispensers are developed with high technical and quality standards, with features to offer you even more comfort.

Read all instructions before using this appliance. This book contains valuable information about operation, care and service. Keep it in a safe place.

You expect all this from Electrolux....and we deliver.

## Environmental advice

The packaging material used is recyclable; we recommend that you separate plastic, paper and cardboard and give them to recycling companies.

According to WEEE (Waste of Electrical and Electronic Equipment) guidelines, waste from electrical and electronic devices should be collected separately.

If you need to dispose of this appliance in the future, do NOT throw it away with the rest of your domestic garbage.

Instead, please take the appliance to the nearest WEEE collection point, where available.



## **Attention**

---

Inside you will find many helpful hints on how to use and maintain your water dispenser properly. Just a little preventive care on your part can save you a great deal of time and money over the life of your Water Dispenser. You'll find many answers to common problems in the chart of troubleshooting tips. If you review our chart of Troubleshooting Tips first, you may not need to call for service at all.

# Contents

Safety .....	3
Product description .....	5
Installation .....	6
How to use .....	8
Care and cleaning .....	11
Troubleshooting .....	13
Technical informations .....	15

## ***Attention***

---

- The appliance that you have bought may be slightly different from the one illustrated in this manual. Please refer to the information related to the model you have.
- The appliance you have may carry a different plug than the one illustrated in this manual. The plug that comes with the product follows the electrical specification of the country where it is sold.
- Contact the authorised service technician for repair or maintenance of this unit.
- If the power cord is to be replaced, replacement work shall be performed by authorised personnel only.
- This product was developed for regions with an altitude of approximately 2000 meters. For a higher region, the water boiling point might be too low and cause product damages.

To reduce risk of injury and property damage, user must read this entire guide before assembling, installing and operating dispenser.

Failure to execute the instructions in this manual can cause personal injury or property damage.

This product dispenses water at very high temperatures. Failure to use properly can cause personal injury.

When operating this dispenser, always exercise basic safety precautions, including the following:

**WARNING:** When positioning the appliance, ensure the supply cord is not trapped or damaged.

**WARNING:** Do not locate multiple portable socket-outlets or portable power supplies at the rear of the appliance.

# Safety

## For children

- This appliance is not intended for use by persons (including children) with reduced physical, sensory or mental capabilities, or lack of experience and knowledge, unless they have been given supervision or instruction concerning use of the appliance by a person responsible for their safety.
- Children should be supervised to ensure that they do not play with the appliance.

## General safety

- It is most important that this instruction book should be retained with the appliance for future reference. Should the appliance be sold or transferred to another owner, or should you move to another house and leave the appliance, always ensure that the book is supplied with the appliance in order that the new owner can get to know the functioning of the appliance and the relevant warnings.
- Correct functioning of your appliance does not only depend on product quality, but on correct installation by a qualified professional.
- Never remove or damage stickers, warning labels or nameplates attached to the appliance.
- A qualified technician carrying out the installation is obliged to observe applicable national standards and regulations concerning connection to the water distribution system and the electric network. The manufacturer is not responsible for any unprofessional or incorrect installation.
- If the supply cord is damaged, it must be replaced by the manufacturer, its service agent or similarly qualified persons in order to avoid a hazard.
- **WARNING:** Keep ventilation openings, in the appliance enclosure or in the built-in structure, clear of obstruction.
- **WARNING:** Do not use mechanical devices or other means to accelerate the defrosting process, other than those recommended by the manufacturer.
- **WARNING:** Do not damage the refrigerant circuit.
- **WARNING:** To avoid a hazard due to instability of the appliance, it must be fixed in accordance with the instructions.
- This appliance is intended to be used in household and similar applications such as:
  - staff kitchen areas in shops, offices and other working environments;
  - farm houses and by clients in hotels, motels and other residential type environments;
  - bed and breakfast type environments;
  - catering and similar non-retail applications

- Check that the specifications written on the appliance's identification plate are the same as those of the electrical power supply.
- This appliance is manufactured and tested in accordance with valid regulations.
- Do not store explosive substances such as aerosol cans with a flammable propellant in this appliance.

### Installation

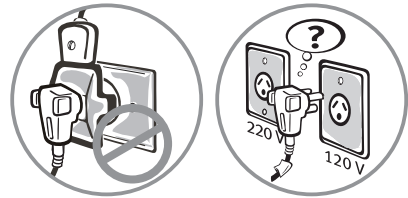
- Obey the installation instruction supplied with the appliance.
- Remove all the Packaging items.
- Do not install or use a damaged appliance.
- Before first time starting up, check the appliance for any damage incurred during transport.
- Never remove or damage stickers, warning labels or nameplates attached to the appliance.

### Water connection

- Make sure to use a new water bottle.
- Make sure the water bottle not faulty - no leakage or holes.
- Make sure to install the bottle as in Catalogue.
- Make sure to use the proper capacity ( $\leq 20$ ) litre for the water bottle.

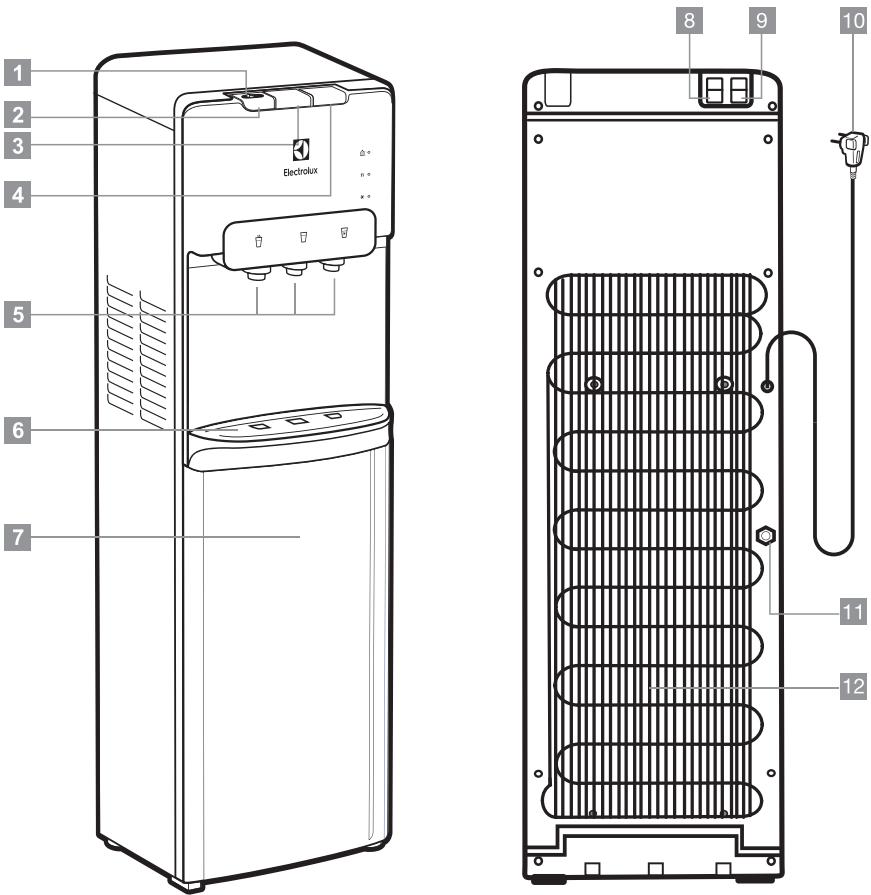
### Electrical connection

- Only plug the water dispenser directly in the current if it is correctly grounded and with the certain voltage.
- Choose a place that is near a grounded electrical outlet.
- Make sure the appliance is installed correctly. Loose and incorrect electricity mains cable or plug (if applicable) can make the terminal become too hot.
- Make sure that the electrical information on the rating plate agrees with the power supply. If not, contact our Authorised Service Centre or an electrician.
- Do not use multi-plug adapters and extension cables.
- Make sure not to cause damage to the mains plug (if applicable) or to the mains cable. Contact our Authorised Service Centre or an electrician to change a damaged mains cable.
- The Appliance have electrical switch in the rear side which is set to turn ON or OFF the water heating system only.



# Product description

## Parts names



- 1** Child safety switch
- 2** Hot water button
- 3** Ambient water button
- 4** Cold water button
- 5** Spout
- 6** Water collector grid
- 7** Storage space

- 8** Cooling switch
- 9** Heating switch
- 10** Power cord
- 11** Outlet of hot water
- 12** Condenser

# Installation

## Placement

Use the appliance indoors, where is no likelihood of rain or bad weather, as there is damage risk to the product electrical system.

Place dispenser upright The product must be installed in an easily accessible location in case of repairs.

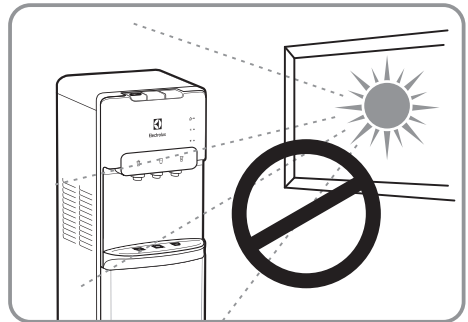
Place dispenser upright on a flat surface and keep a minimum distance of 25cm from the wall. Make sure that the ventilation openings of the product are not being obstructed.

## Assemble

1. Remove drip tray from door and place the grid on top.
2. Snap drip tray and grid assembly into door.

## ***Important***

Do not install the water dispenser in a location where there is a direct impact of sunlight or near heat sources, as a stove, oven, etc.

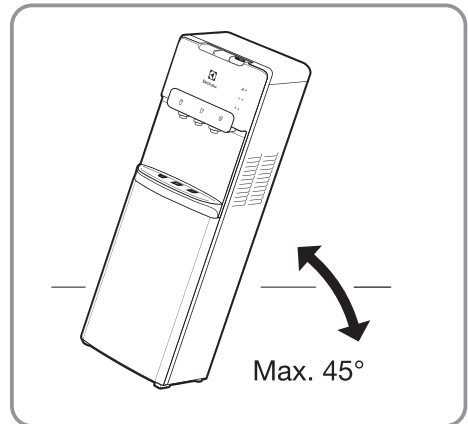


## ***Attention***

Never turn the appliance upside down or tilt it more than 45°.

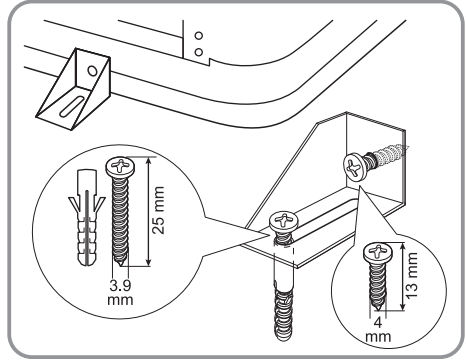
## ***Warning***

Do not plug in the device unless the water bottle is already installed.



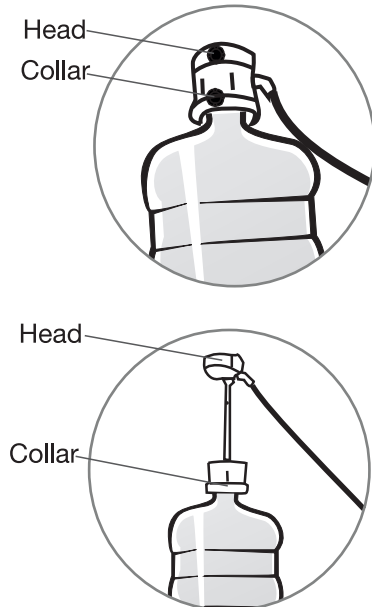
To avoid a hazard due to instability of the appliance, it must be fixed in accordance with the instructions:

1. Use 13 mm screw to fix the fixing bracket on the middle of bottom cover.
2. Drill out a screw hole(6 mm) on the floor.
3. Insert a screw anchor (wall plug) into the drilled hole.
4. Move water dispenser, Align fixing bracket hole with screw hole of the floor
5. Put the 25mm screw into the screw hole of fixing bracket.
6. Tighten the screw.



### Install water bottle

1. Open dispenser door.
2. Place probe assembly on probe hanger.
3. Place fresh bottle outside of cabinet.
4. Remove the entire plastic cap from top of bottle.
5. Clean outside of new bottle with a cloth.
6. Place probe into bottle.
7. Slide collar down until it clicks in place.
8. Push head down until tubes hit bottom of bottle.
9. Slide bottle into cabinet and close door.





Provide electricity

Plug cord into a properly grounded wall outlet.

At this time the pump will begin to move water from the bottle to the hot and cold tanks. It will take up to 5 minutes to fill the tanks for the first time. During this period the pump will run continuously. This is normal.

## How to use

Activate heating and cooling

This unit will not dispense hot or cold water until the switchers are activated.

To activate, push top side of power switches in to start heating and cooling water.

- If you do not want to heat water, push bottom side of red switch in.
- If you do not want to cool water, push bottom side of green switch in;



Dispensing water

This unit has been tested and sanitized prior to packing and shipping. During transit dust and odors can accumulate in the tank and lines. Dispense and dispose at least one quart of water to prior to drinking any water.

### ***Attention***

---

Sometimes when water is dispensed for more than 2 minutes, the pump fails to take the necessary amount of water, and gets block, in this case the lack of water indicator light on control panel will turn on. If this happens, just open the cabinet door, then close it, and wait for 2 minutes, then the dispenser will return to dispense water.

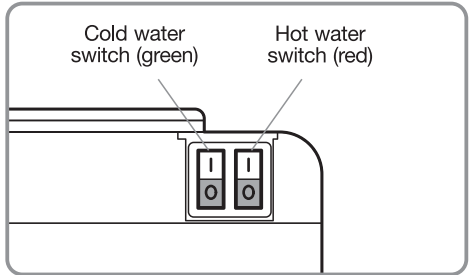
When the bottle is empty, replace it with a new bottle. (see instructions of how on page 10).

### Activate heating and cooling

This unit will not dispense hot or cold water until the switchers are activated.

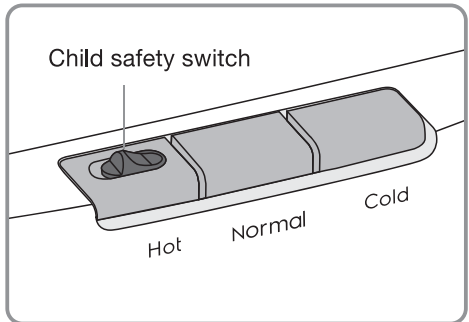
To activate, push top side of power switches in to start heating and cooling water:

- If you do not want to heat water, push bottom side of red switch in.
- If you do not want to cool water, push bottom side of green switch in.



### Dispensing water

This unit has been tested and sanitized prior to packing and shipping. During transit dust and odors can accumulate in the tank and lines. Dispense and dispose at least one quart of water prior to drinking any water.



### Hot water

To get the hot water: slide the child safety switch to right, and press hot water button simultaneously.

### Normal water

To get the room temperature water: put the cup on the water collector grid and press the natural water button.

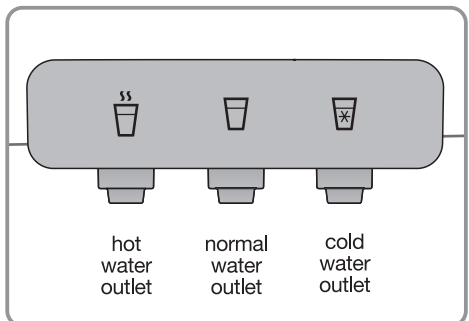
### Cold water

To obtain chilled water put the cup on the water collector grid and press the cold water button.



### Warning

Never press more than one button at the same time.



## Light indicators

The indicator lights show that the device is working correctly. After connecting the device, check if the indicators are on.



Indicates when the bottle is empty.



Indicates that the water in the reservoir is being heated.




Indicates that water in the reservoir is being chilled.

## Warning

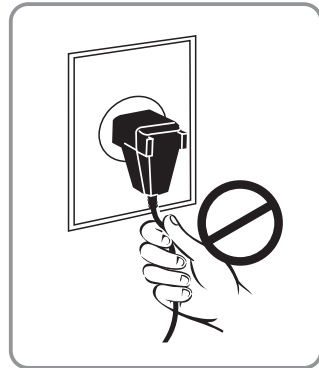
- When the machine is under the ice point and blocked by ice, the cooling switch must be closed for 4 hours before turning it on again to continue its operation.
- This machine should not be turned on until 3 minutes later after turning off the power switch.
- Do not operate or stop the appliance plugged in by the power cord or by pulling on the power cord. Unplug the power cord by holding it by the plug.
- Do not operate or stop the appliance plugged in by the power cord or by pulling on the power cord. Unplug the power cord by holding it by the plug.

## Changing bottles

The indicator () lights up when the bottle is empty. Replace the bottle as soon as possible.

Do not dispense hot, cool or cold water if the red light is flashing as you could empty the tanks and cause the dispenser to overheat.

1. Open the dispenser door.
2. Slide empty bottle out of cabinet.
3. Remove probe assembly from empty bottle. Place probe assembly on probe hanger.
4. Set empty bottle aside.
5. Place fresh bottle outside of cabinet. Remove entire plastic cap from top of bottle. Clean outside of new bottle with a cloth.
6. Place probe into bottle. Slide collar down until it clicks in place. Push head down until tubes hit bottom of bottle.
7. Slide bottle into cabinet and close door.



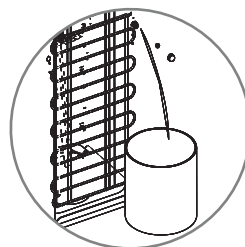
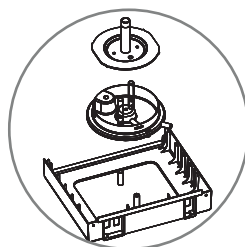
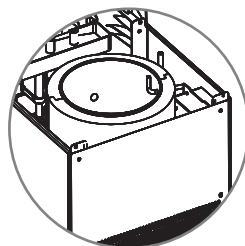
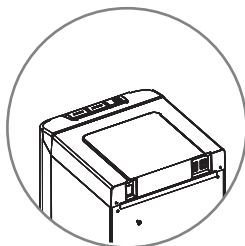
## Cleaning and maintenance

To avoid accident, cut off the power supply before operation according to the following instruction.

The machine had been disinfected before departed from factory. Cleaning the dispenser prior to installing a full bottle of water for the first time.

Cleaning and draining instructions:

1. Making sure the power switch in the 0(off) position and unplug the water dispenser before cleaning.
2. Twist out the two screws, then take down top cover, cold tank cover and separator.
3. Fill 0,6 gallons pure water into cold tank to clean it.
4. Place a large water bucket beneath the drain outlet which on the back of water dispenser, then, remove the drain cover and drain the water.
5. Reposition the drain cover, separator, cold tank cover and top cover after draining. Ensure the pipe and wires are connected properly, then you can use the machine normally.



### **Attention**

---

The cleaning must be under the guidance of professional staff. The dispenser heats water to a temperature of approximately 85°C. It can cause severe burns. Please operate it carefully.

## Sanitizing

The machine should be disinfected with disinfectant separately bought from drugstore or marketplace according to the instruction manual of the disinfectant and then clean it with water (see cleaning and draining instructions).

Generally this should be done every three months.



To remove mineral deposits

Mix 1 gallon of water with half pound of citric acid crystals, inject into the machine and make sure the water can flow out of the hot water tap. Switch on the power and heat it about 10 minutes, 30 minutes later, drain off the liquid and clean it with water two or three times. Generally this should be done every six months.

## **Warning**

---

Never disassemble this machine by yourself to avoid risk of damaging machine.

After plug-in each time, if the water not fill in the cold tank fully, the water shortage indicator will blinking and pump is working.

If the water level of the cold tank still fails to reach the limit within 5 minutes, the water shortage indicator will continue blinking, but the water pump will stop working.

In any time, once the cabinet door is opened, the pump should not working.

# Troubleshooting

Certain problems are due to lack of simple maintenance or oversights, which can be solved easily without calling the service technicians, before contacting the service centre please carry out the check listed below.

Problem	Possible cause(s)	Solution
Does not work	<ul style="list-style-type: none"> <li>a) Electric plug out of the socket.</li> <li>b) Bonded in different voltage.</li> <li>c) Lack of electric power or fuse blown.</li> <li>d) Make sure cold water switch in the rear side of dispenser is ON.</li> <li>e) Voltage drop.</li> </ul>	<ul style="list-style-type: none"> <li>a) Plug in.</li> <li>b) Connect in correct voltage.</li> <li>c) Wait for electric power ON or change fuse.</li> <li>d) Push the switches to the ON position.</li> <li>e) Use a voltage stabilizer.</li> </ul>
Water not cold from cold tank	<ul style="list-style-type: none"> <li>a) Electric plug out of the socket.</li> <li>b) After setup, it will take up to 1 hour to chill the water until minimal set temperature.</li> <li>c) Make sure cold water switch in the rear side of dispenser is ON.</li> </ul>	<ul style="list-style-type: none"> <li>a) Plug in.</li> <li>b) Wait one hour for the cold water supply.</li> <li>c) Push the cold water switch (green) to the ON position.</li> </ul>
Water not hot from hot tank	<ul style="list-style-type: none"> <li>a) Electric plug out of the socket.</li> <li>b) After setup, it will take up to 15-20 min to heat the water until maximal set temperature.</li> <li>c) Make sure hot water switch in the rear of dispenser is ON.</li> </ul>	<ul style="list-style-type: none"> <li>a) Plug in.</li> <li>b) Wait 15-20 min. for the heat water supply.</li> <li>c) Push the hot water switch (red) to the ON position.</li> </ul>
Excessive heating around dispenser body	<ul style="list-style-type: none"> <li>a) The appliance very close to a wall.</li> <li>b) Ventilation vents obstructed.</li> </ul>	<ul style="list-style-type: none"> <li>a) The appliance must be at least 25 cm from the wall.</li> <li>b) Clear the ventilation vents.</li> </ul>
Noise	<ul style="list-style-type: none"> <li>a) Product leaning on the wall.</li> <li>b) Uneven placement.</li> </ul>	<ul style="list-style-type: none"> <li>a) The appliance must be at least 25 cm from the wall.</li> <li>b) Even the appliance.</li> </ul>
Water leakage	<ul style="list-style-type: none"> <li>a) A hole or a crack in the bottle.</li> <li>b) Overflow in the water collector.</li> <li>c) Drainage cap not well tightened.</li> </ul>	<ul style="list-style-type: none"> <li>a) Replace the water bottle.</li> <li>b) Empty the water collector.</li> <li>c) Tighten the cap.</li> </ul>

Problem	Possible cause(s)	Solution
Steam coming out of dispenser	a) Excessive heating inside the hot water tank.	a) Disconnect the main power source and call service centre.
Unpleasant taste of water	a) Cleaning is made with non recommended material. b) Poor-quality water. c) Water bottle shoddy.	a) Follow cleaning/sterilization procedure correctly. b) Make sure that the mineral water supplier is of good quality. c) Replace the water bottle.

# Technical informations

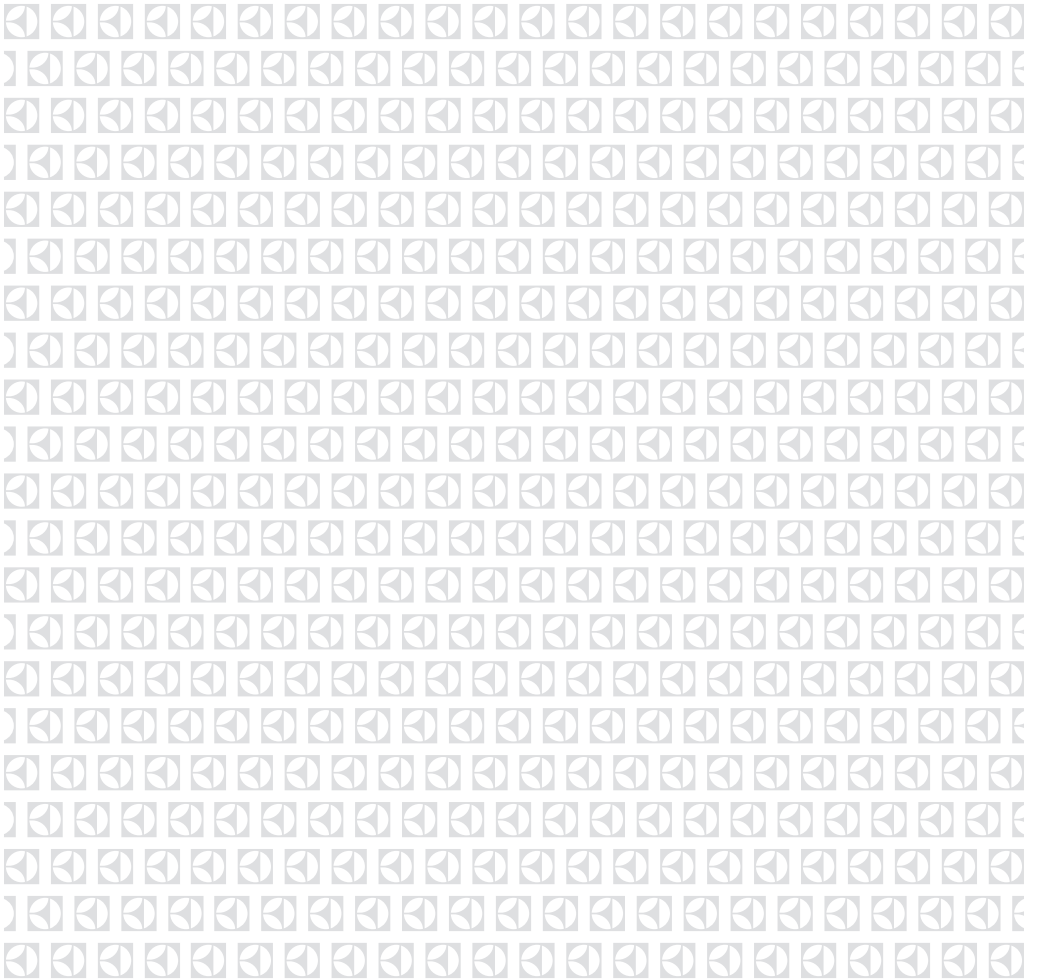
MODEL	BOTTOM LOAD	
	EDBMFDXWG / EDMFDXSG	
Volt-Freq.	220-240V - 50/60Hz	
Max. power	500 W	
Heating power	420 W	
Cooling power	80 W	
Cold water	2L/h( $\leq 10^{\circ}\text{C}$ )	
Heat water	4L/h( $\geq 90^{\circ}\text{C}$ )	
Environmental temp.	10~43°C	
Humidity	$\leq 90\%$	
Net weight	14.75 kg	
Prod. dimens. W*D*H (mm)	310*374*1040	



NOTES

A large rectangular area with a light gray background and horizontal white lines, intended for taking notes.





Lined writing area for notes.

## المعلومات الفنية

الحمل السفلي	الطرز
EDBMFDXWG / EDBMFDXSG	
60/50 هيرنتز - 240 فولت - 220	الفولت - التردد
500 واط	الطاقة القصوى
420 واط	طاقة التسخين
80 واط	طاقة التبريد
2 لتر / الساعة	المياه الباردة
4 لتر / الساعة	المياه الساخنة
10 ~ 43 درجة مئوية	درجة الحرارة البيئية
≥90%	الرطوبة
14,75 كجم	الوزن الصافي
1040*374*310	أبعاد المنتج العرض * العمق * الطول (مم)

المشكلة	السبب (الأسباب) الممكن	الحل
خروج البخار من الموزع	أ) يوجد تسخين مفرط داخل خزان المياه الساخنة.	أ) افصل مصدر الطاقة الرئيسي واتصل بمركز الصيانة.
مذاق المياه كريه	أ) قد يكون الجهاز نُظف بمواد غير موصى بها. ب) قد تكون المياه غير جيدة / غير نظيفة. ج) قد تكون زجاجة المياه رديئة.	أ) اتبع إجراءات التنظيف / التعقيم بشكل صحيح. ب) تأكد من أن مورد المياه المعدنية يورد مياهًا ذات نوعية جيدة. ج) استبدل زجاجة المياه.

## حل المشكلات

ترجع بعض المشاكل إلى عدم وجود صيانة بسيطة أو إشراف، والتي يمكن حلها بسهولة عبر إجراء الفحص المذكور أدناه أو لآ دون الاتصال بفتني الخدمة وقبل الاتصال بمركز الخدمة.

المشكلة	السبب (الأسباب) الممكن	الحل
الجهاز لا يعمل	<p>(أ) قد يكون القابس الكهربائي خارج المقبس.</p> <p>(ب) قد يكون موصل بفولتية مختلفة.</p> <p>(ج) قد يكون بسبب نقص الطاقة الكهربائية أو الفيوز محترق.</p> <p>(د) تأكد من تشغيل مفتاح المياه الباردة في الجانب الخلفي من الموزع.</p> <p>(هـ) قد يكون بسبب انخفاض الجهد.</p>	<p>(أ) صل القابس الكهربائي بالمقبس.</p> <p>(ب) صل الجهاز بالفولتية الصحيحة.</p> <p>(ج) انتظر حتى تعود الطاقة الكهربائية أو استبدل الفيوز.</p> <p>(د) ادفع المفاتيح إلى وضع التشغيل.</p> <p>(هـ) استخدم مثبت الجهد.</p>
لا تأتي مياه باردة من الخزان البارد	<p>(أ) قد يكون القابس الكهربائي خارج المقبس.</p> <p>(ب) بعد الإعداد والتركييب، سيستغرق تبريد الماء ما يصل إلى ساعة واحدة حتى تصل إلى درجة الحرارة الدنيا المحددة.</p> <p>(ج) تأكد من تشغيل مفتاح المياه الباردة في الجانب الخلفي من الموزع.</p>	<p>(أ) صل القابس الكهربائي بالمقبس.</p> <p>(ب) انتظر ساعة واحدة لإمداد المياه الباردة.</p> <p>(ج) ادفع زر المياه الباردة (أخضر) إلى وضع التشغيل.</p>
لا تأتي مياه ساخنة من الخزان الساخن	<p>(أ) قد يكون القابس الكهربائي خارج المقبس.</p> <p>(ب) بعد الإعداد والتركييب، سيستغرق تسخين الماء من 15 إلى 20 دقيقة حتى تصل إلى درجة الحرارة القصوى المحددة.</p> <p>(ج) تأكد من تشغيل مفتاح المياه الساخنة في الجانب الخلفي من الموزع.</p>	<p>(أ) صل القابس الكهربائي بالمقبس.</p> <p>(ب) انتظر من 15 إلى 20 دقيقة لإمداد المياه الساخنة.</p> <p>(ج) ادفع زر المياه الساخنة (أحمر) إلى وضع التشغيل.</p>
تسخين المفرط حول جسم الموزع	<p>(أ) قد يكون الجهاز قريب جدًا من الحائط.</p> <p>(ب) قد يكون بسبب انسداد فتحات التهوية.</p>	<p>(أ) يجب أن يكون الجهاز على بُعد 25 سم على الأقل من الحائط.</p> <p>(ب) نظف فتحات التهوية.</p>
ضوضاء	<p>(أ) المنتج متكئ على الحائط.</p> <p>(ب) وضعية الجهاز غير متساوية.</p>	<p>(أ) يجب أن يكون الجهاز على بُعد 25 سم على الأقل من الحائط.</p> <p>(ب) ضع الجهاز بشكل مستو.</p>
تسريب المياه	<p>(أ) يوجد ثقب أو شق في الزجاجة.</p> <p>(ب) يوجد فائض في جامع المياه.</p> <p>(ج) يكون غطاء التصريف غير مغلق بشكل جيد.</p>	<p>(أ) استبدل زجاجة المياه.</p> <p>(ب) أفرغ جامع المياه.</p> <p>(ج) أغلق الغطاء جيدًا.</p>

## التعقيم

يجب تطهير الجهاز بمطهر يتم شراؤه بشكل منفصل من الصيدلية أو السوق وفقاً لدليل تعليمات المطهر ثم عليك تنظيف الجهاز بالمياه بعد ذلك (راجع تعليمات وإرشادات التنظيف والتصريف).  
بشكل عام، يجب أن يتم ذلك كل ثلاثة أشهر.



## إزالة الرواسب المعدنية

اخلط 1 جالون من المياه مع نصف رطل من بلورات حمض الستريك، ثم احفن الخليط في الجهاز وتأكد من إمكانية تدفق المياه من صنبور المياه الساخنة. قم بتشغيل الطاقة واترك المياه تسخن لحوالي 10 دقائق، ثم عليك أن تُصرف السائل بعد 30 دقيقة ونظف الجهاز بالمياه مرتين أو ثلاث مرات. بشكل عام، يجب أن يتم ذلك كل ستة أشهر.

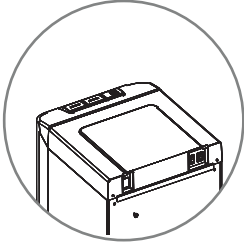
## تحذير

لا تقم أبداً بتفكيك هذا الجهاز بنفسك لتجنب خطر تلف الجهاز.

بعد توصيل الجهاز، سيظل مؤشر نقص المياه يومض إذا لم يتم ملء خزان الماء البارد بالكامل. ستبقى المضخة تعمل إذا لم يصل مستوى الماء في الخزان البارد إلى الحد الأقصى خلال 5 دقائق، فسيستمر مؤشر نقص المياه في الوميض، لكن مضخة الماء ستتوقف عن العمل ومع ذلك، فبمجرد فتح باب الخزانة في أي وقت، ستتوقف المضخة عن العمل.



## التنظيف والصيانة



اقطع مصدر الطاقة قبل التشغيل وفقاً للتعليمات التالية لتجنب وقوع الحوادث.

تم تعقيم الجهاز قبل خروجه من المصنع. نظف الموزع قبل تركيب زجاجة مياه كاملة لأول مرة.

تعليمات وإرشادات التنظيف والتصريف:

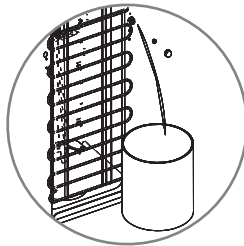
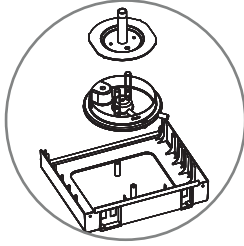
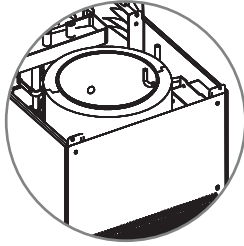
1. تأكد من أن مفتاح التشغيل في وضع 0 (الإيقاف) وافصل موزع المياه قبل التنظيف.

2. قم بلف المسامير ثم أزل الغطاء العلوي وغطاء الخزان البارد والفاصل.

3. املاً 0.6 جالون من المياه النقية في الخزان البارد لتنظيفه.

4. ضع دلو مياه كبير تحت مخرج التصريف على الجزء الخلفي من موزع المياه، ثم أزل غطاء التصريف وصرّف المياه.

5. أعد وضع غطاء التصريف والفاصل وغطاء الخزان البارد والغطاء العلوي بعد التصريف. تأكد من توصيل الأنابيب والأسلاك بشكل صحيح، ثم يمكنك استخدام الجهاز بشكل طبيعي.



### يرجى الانتباه

يجب أن تتم عملية التنظيف تحت إشراف الموظفين المحترفين. يسخن الموزع المياه إلى درجة حرارة تقارب 85° درجة مئوية. ويمكن أن يسبب حروقاً شديدة. يُرجى تشغيله بحرص.

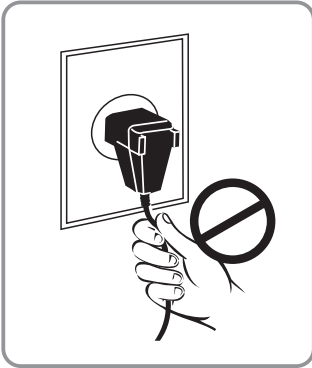
## المؤشرات الضوئية

تُظهر المؤشرات الضوئية أن الجهاز يعمل بشكل صحيح. تحقق مما إذا كانت المؤشرات قيد التشغيل بعد توصيل الجهاز.

## تغيير الزجاجات

يُضيء المؤشر (🏠) عندما تكون الزجاجة فارغة. استبدل الزجاجة في أقرب وقت ممكن. لا تُصرف المياه الساخنة أو الفاترة أو الباردة إذا كان الضوء الأحمر يومض حيث يمكن أن يتسبب ذلك في تفرغ الخزانات والتسبب في ارتفاع درجة حرارة الموزع.

1. افتح باب الموزع.
2. اسحب الزجاجة خارج الخزانة.
3. أزل تجميع المسبار من الزجاجة الفارغة. ضع تجميع المسبار على حامل المسبار.
4. ضع الزجاجة الفارغة جانبًا.
5. ضع الزجاجة الجديدة خارج الخزانة. أزل الغطاء البلاستيكي بالكامل من فوهة الزجاجة. نظف خارج الزجاجة الجديدة بقطعة من القماش.
6. ضع المسبار داخل الزجاجة. اسحب حلقة الزجاجة للأسفل حتى تصدر صوت طرقة في موقعها. ادفع الرأس للأسفل حتى يصطدم الأنبوب بأسفل الزجاجة.
7. اسحب الزجاجة داخل الخزانة ثم اغلق الباب.



يُشير إلى أن الزجاجة فارغة.



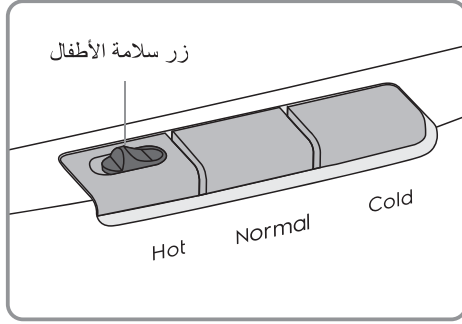
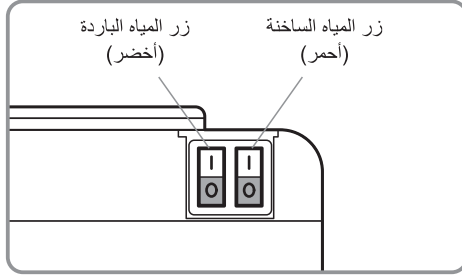
يُشير إلى أن الماء في الخزان جاري تسخينه.



يُشير إلى أن الماء في الخزان جاري تبريده.

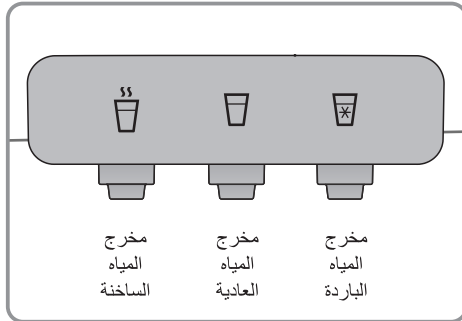
## تحذير

- يجب إغلاق مفتاح التبريد لمدة 4 ساعات قبل تشغيله مرة أخرى لمواصلة تشغيله عندما يكون الجهاز تحت نقطة التجمد وقد تسدنت بالتلج.
- لا يجب تشغيل هذا الجهاز إلا بعد 3 دقائق بعد إيقاف تشغيل مفتاح التشغيل.
- لا تقم بتشغيل أو إيقاف تشغيل الجهاز عبر توصيله بكابيل الطاقة أو بسحب كابيل الطاقة. افصل كابل الطاقة عن طريق امساكه من القابس.
- لا تقم بتشغيل أو إيقاف تشغيل الجهاز عبر توصيله بكابيل الطاقة أو بسحب كابل الطاقة. افصل كابل الطاقة عن طريق امساكه من القابس.



**تحذير**

لا تضغط أبدًا على أكثر من زر في الوقت ذاته.



### تنشيط وضع التبريد والتسخين

هذا لن يوزع المياه الساخنة أو الباردة إلى ان يتم تنشيط المفاتيح. لإجراء عملية التنشيط ادفع مفاتيح التشغيل للجانب العلوي لبدء عملية تسخين وتبريد المياه:

- إن كنت لا تريد مياه ساخنة، ادفع الزر جانبًا إلى الجانب الأحمر.
- إن كنت لا تريد مياه باردة، ادفع الزر جانبًا إلى الجانب الأخضر.

### موزع المياه

تم اختبار هذه الوحدة وتعقيمها قبل التعبئة والشحن. أثناء العبور يمكن أن يتراكم الغبار أو الروائح في الخزان وبين الخطوط. قم بتصريف والتخلص من ربع لتر من الماء على الأقل قبل شرب أي ماء.

### المياه الساخنة

للحصول على المياه الساخنة: اسحب زر سلامة الأطفال إلى اليمين واضغط على زر المياه الساخنة بالتزامن.

### المياه العادية

للحصول على مياه في درجة حرارة الغرفة: ضع الكوب فوق شبكة تجميع المياه واضغط على زر المياه العادية.

### المياه الباردة

للحصول على مياه باردة: ضع الكوب فوق شبكة تجميع المياه واضغط على زر المياه الباردة.

التزويد بالكهرباء  
أوصل سلك الطاقة بالشكل المناسب بمخرج كهربائي أرضي.  
في هذا الوقت تبدأ المضخة في تحريك المياه من الزجاجة إلى خزان المياه الساخن والبارد. يستغرق ملء الخزانات لأول مرة مدة تصل حتى 5 دقيقة. وخلال هذه الفترة سوف تعمل المضخة باستمرار. هذا أمرًا طبيعيًا.

## كيفية الاستخدام

تنشيط وضع التبريد والتسخين

هذا لن يوزع المياه الساخنة أو الباردة إلى ان يتم تنشيط المفاتيح.

لإجراء عملية التنشيط ادفع مفاتيح التشغيل للجانب العلوي لبدء عملية تسخين وتبريد المياه.

- إن كنت لا تريد مياه ساخنة، ادفع الزر جانبًا إلى الجانب الأحمر.

- إن كنت لا تريد مياه باردة، ادفع الزر جانبًا إلى الجانب الأخضر.

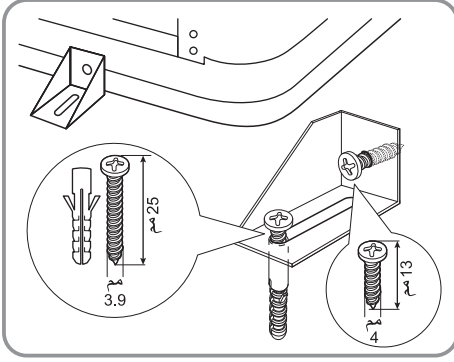
موزع المياه

تم اختبار هذه الوحدة وتعقيمها قبل التعبئة والشحن. أثناء العبور يمكن أن يتراكم الغبار أو الروائح في الخزان وبين الخطوط. قم بتصريف والتخلص من ربع لتر من الماء على الأقل قبل شرب أي ماء.

## يرجى الانتباه

في بعض الأحيان عند تصريف المياه لأكثر من دقيقتين، تفشل المضخة في أخذ الكمية اللازمة من الماء، وتقف عن العمل، في هذه الحالة سيتم تشغيل ضوء مؤشر نقص الماء على لوحة التحكم. إذا حدث ذلك، فقط افتح باب الخزانة ثم أغلقه وانتظر لمدة دقيقتين، ثم يعود الموزع لتصريف المياه.  
عندما تكون الزجاجة فارغة، استبدلها بزجاجة جديدة. (انظر تعليمات كيف في ص 10).

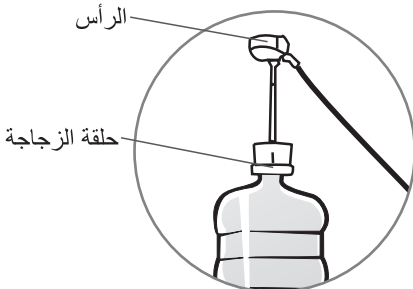
يجب تركيب الجهاز وفقاً للتعليمات لتجنب المخاطر الناتجة عن عدم ثبات الجهاز:



1. استخدم مسامير بحجم 13 مم ل تثبيت قاعدة التثبيت في منتصف غطاء الجزء الأوسط.
2. انقب ثقبا للسمار (6 مم) في الأرضية.
3. أدخل المسمار اللولبي (قابس حائط) في الفتحة المثقبة.
4. حرك موزع المياه، ثم قم بمحاذاة فتحة قوس التثبيت مع ثقب المسمار للأرضية.
5. ضع مسمرا لولبيا بحجم 25 مم في ثقب المسمار الخاص بقاعدة التثبيت.
6. اربط المسمار.



- ركب زجاجة المياه
1. افتح باب الموزع.
  2. ضع تجميع المسبار على حامل المسبار.
  3. ضع الزجاجاة الجديدة خارج الخزانة.
  4. أزل الغطاء البلاستيكي بالكامل من فوهة الزجاجاة.
  5. نظف خارج الزجاجاة الجديدة بقطعة من القماش.
  6. ضع المسبار داخل الزجاجاة.
  7. اسحب حلقة الزجاجاة للأسفل حتى تصدر صوت طرقة في موقعها.
  8. ادفع الرأس للأسفل حتى يصطدم الأنبوب بأسفل الزجاجاة.
  9. اسحب الزجاجاة داخل الخزانة ثم اغلق الباب.



## التركيب

### وضع الجهاز

استخدم الجهاز داخل المنزل، حيث لا يوجد احتمال لتساقط الأمطار أو سوء الأحوال الجوية، ولا يوجد خطر تلف للنظام الكهربائي للمنتج.

ضع الموزع مستقيماً. يجب تركيب المنتج في مكان يسهل الوصول إليه في حالة إجراء الإصلاحات.

ضع الموزع مستقيماً على سطح مستوٍ واطرك مسافة 25 سم بحد أدنى بين الجهاز والحائط. تأكد من أنه لا يوجد عائق في فتحات التهوية الخاصة بالمنتج.

### الجمع

1. أزل لوحة التنقيط من الباب وضع الشبكة أعلاه.
2. قم بتركيب لوحة التنقيط واجمع الشبكة في الباب.

### تعليمات مهمة

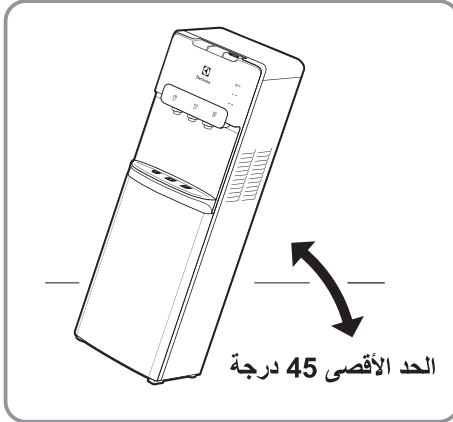
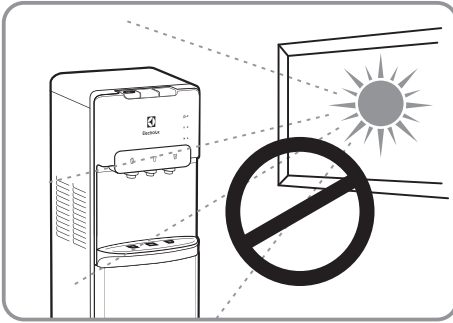
يحذر تركيب موزع المياه في المكان الذي فيه تأثيراً لضوء الشمس المباشر أو بالقرب من مصادر الحرارة مثل الموقد والفرن وما إلى ذلك.

### يرجى الانتباه

لا تقم أبداً بقلب الجهاز رأساً على عقب أو إمالته أكثر من 45 درجة.

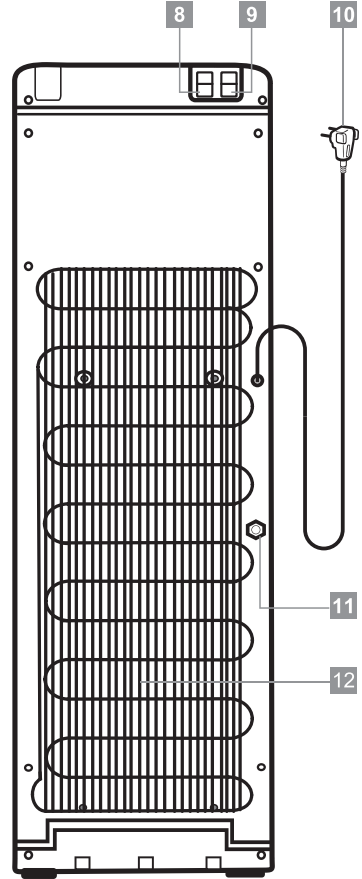
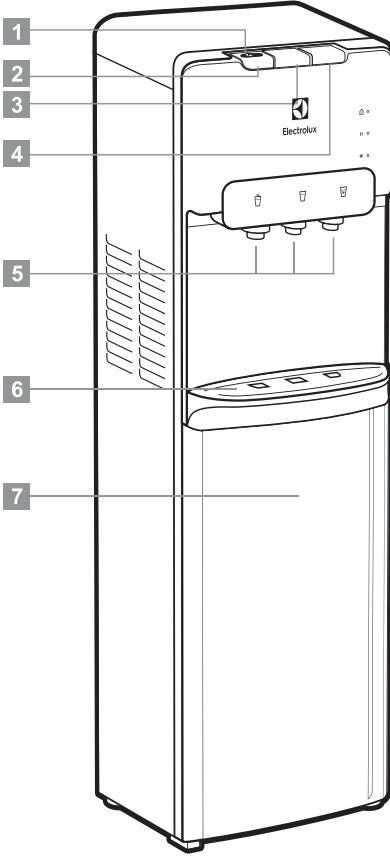
### تحذير

لا تضع قابس الجهاز في مصدر التيار الكهربائي ما لم تكن زجاجة المياه مركبة بالفعل.



## وصف المنتج

### أسماء الأجزاء



- 8 زر التبريد
- 9 زر التسخين
- 10 كابل الطاقة
- 11 منفذ المياه الساخنة
- 12 موزع

- 1 زر سلامة الأطفال
- 2 زر المياه الساخنة
- 3 زر محيط المياه
- 4 زر المياه الباردة
- 5 صنبور
- 6 شبكة تجميع المياه
- 7 مساحة التخزين

- تأكد من أن المعلومات المدونة على لوحة تعريف الجهاز هي نفس المعلومات الخاصة بمزود الطاقة الكهربائية.
- تم صنع واختبار هذا الجهاز وفقاً للوائح المعمول بها.
- لا تقم بتخزين المواد المتفجرة مثل علب الأيروسول التي تحتوي على مادة دافعة قابلة للاشتعال في هذا الجهاز

#### التركيب

- اتبع تعليمات التركيب المتوفرة مع الجهاز.
- أزل جميع العناصر المعيبة.
- لا تركب أو تستخدم جهازاً تالفاً.
- قبل وقت التشغيل الأول، افحص الجهاز لضمان عدم وجود أي تلف حدث أثناء النقل.
- لا تزيل أبداً أو تتلف أي ملصق أو ملصقات تحذيرية أو الملصقات التي تحمل اسم ملحقات بالجهاز.

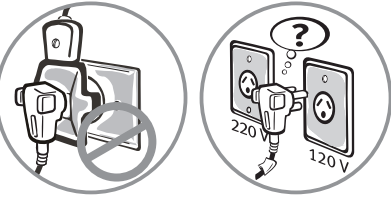
#### توصيل المياه

- تأكد من استخدام زجاجة مياه جديدة.
- تأكد من عدم وجود عيوب في زجاجة المياه - بحيث ألا يكون بها تسريب ولا ثقب.
- تأكد من تركيب الزجاجاة كما في الكتلوج.
- تأكد من أنك تستخدم زجاجة مناسبة بسعة لا تزيد عن 20 لتر ماء.

#### التوصيل الكهربائي

- ضع فقط مقبس موزع المياه مباشرة في قابس التيار في حالة تم تأريض هذا التيار بشكل صحيح بالفولت المحدد.
- اختر مكان قريب من منفذ التيار الكهربائي الذي تم تأريضه.
- تأكد من أن الجهاز مركب بالشكل الصحيح. يمكن للكابل أو قابس التيار الكهربائي المتحرر أو غير الصحيح (إن وجد) أن يجعل الاطراف ساخنة جداً.

- تأكد من أن جميع المعلومات الكهربائية على لوحة التصنيف تتوافق مع مصدر التيار الكهربائي. وإذا لم تكن متوافقة فيرجى التواصل مع مركز الخدمة المعتمد لدينا أو فني كهرباء.



- لا تستخدم الوصلات ذات القوابس المتعددة ولا كابلات التطويل.
- تأكد من عدم حدوث تلفيات لمقبس التيار الرئيسي (إن كان متاحاً) أو للكابلات الرئيسية. وفي حالة تغيير كابلات التيار الرئيسية التالفة فيرجى التواصل مع مركز الخدمة المعتمد لدينا أو فني كهرباء.
- يحتوي الجهاز على زر التشغيل الكهربائي في الجانب الخلفي والذي قد وضع لتشغيل أو قفل نظام تسخين المياه فقط.



## للأطفال

- هذا الجهاز غير مخصص لاستخدام الأشخاص (بما في ذلك الأطفال) من ذوي القدرات البدنية أو الحسية أو العقلية المحدودة، أو ممن لديهم نقص الخبرة والمعرفة، ما لم يتم الإشراف عليهم أو توجيه التعليمات المتعلقة باستخدام الجهاز من جانب شخص مسؤول عن سلامتهم.
- يجب الإشراف على الأطفال لضمان عدم عبثهم بالجهاز.

## السلامة العامة

- من المهم للغاية أن يتم الاحتفاظ بدليل التعليمات هذا مع الجهاز للرجوع إليه في المستقبل. في حالة بيع أو نقل الجهاز إلى مالك آخر، أو إذا انتقلت إلى منزل آخر وتركت الجهاز، فتأكد دائماً أن تضع الدليل مع الجهاز حتى يستطيع المالك الجديد من معرفة وظائف الجهاز والتحذيرات المتعلقة به.
- لا يعتمد الأداء الوظيفي للجهاز على جودة المنتج فقط، ولكن يعتمد على التركيب الصحيح من الفنيين المؤهلين.
- لا تزيل أبداً أو تتلف أي ملصق أو ملصقات تحذيرية أو الملصقات التي تحمل اسم ملحقات بالجهاز.
- يلتزم الفني المؤهل الذي يجري عملية التركيب بمراعاة المعايير واللوائح المحلية المتعلقة بتوصيل نظام توزيع المياه وشبكة الكهرباء. لا تكون شركة التصنيع مسؤولة عن أي تركيب غير فني أو غير صحيح.
- إذا كان كابل الإمداد بالطاقة تالف، فيجب استبداله من قبل المصنع، أو وكيل الخدمة أو فني مؤهل لتجنب أي مخاطر.
- تحذير: حافظ على فتحات التهوية الموجودة في حاوية الجهاز أو في الهيكل المدمج بدون أي عوائق أمامها.
- تحذير: لا تستخدم أي أجهزة ميكانيكية أو أي وسائل أخرى لتسريع عملية إذابة الثلج غير تلك الوسائل التي يوصي بها المصنع.
- تحذير: لا تلمس الضرر بدائرة التبريد.
- تحذير: لتجنب المخاطر الناجمة عن عدم استقرار الجهاز، يجب تثبيته وفقاً للتعليمات.
- تم تصميم هذا الجهاز للاستخدامات المنزلية والاستخدامات المشابهة مثل:
  - مناطق المطابخ للعاملين في المحلات التجارية والمكاتب وبيئات العمل الأخرى.
  - البيوت الريفية ونزلاء الفنادق والموتيلات وغيرها من البيئات السكنية.
  - بيئات المبيت والإفطار.
  - أماكن تقديم الطعام والاستخدامات المماثلة غير المتعلقة بالبيع بالتجزئة

3	..... السلامة
5	..... وصف المنتج
6	..... التركيب
8	..... كيفية الاستخدام
11	..... العناية والتنظيف
13	..... حل المشكلات
15	..... المعلومات الفنية

### يرجى الانتباه

- من الممكن أن يكون هذا الجهاز الذي اشتريته مختلفًا قليلاً عن هذا الموضح في هذا الدليل. يرجى الرجوع إلى المعلومات المتعلقة بالطراز الذي لديك.
- من الممكن أن يكون هذا الجهاز الذي اشتريته يحمل مقبلاً مختلفاً عن هذا الموضح في هذا الدليل. حيث إن المقبس الذي يأتي مع هذا المنتج يتبع المواصفات الكهربائية للبلد الذي بيع فيها الجهاز.
- يرجى التواصل مع فنيي الخدمة المعتمدين لإصلاح أو صيانة الوحدة.
- في حالة استبدال كابل الطاقة، فإن الذي يقوم بهذا الاستبدال هم الموظفون المعتمدون فقط.
- تم تطوير هذا المنتج كي يتناسب مع المناطق التي يبلغ ارتفاعها حوالي 2000 متر. بالنسبة للمناطق الأعلى، فمن الممكن أن تكون نقطة غليان المياه منخفضة جداً وتسبب تلف المنتج.

لتقليل خطر الإصابة، أو حدوث خسارة بالملكات، يجب على المستخدم قراءة الإرشادات بالكامل قبل إجراء عملية الجمع والتركيب والتشغيل للموزع.

ويمكن أن يؤدي عدم اتباع التعليمات الواردة في هذا الدليل إلى حدوث إصابات شخصية أو التلف في الملكيات. يوزع هذا المنتج مياه بدرجة حرارة عالية للغاية. ويمكن أن يؤدي عدم الاستخدام المناسب إلى حدوث إصابات شخصية.

عند تشغيل هذا الموزع، اتبع دائماً احتياطات السلامة الأساسية بما في ذلك ما يلي:

تحذير: عند وضع الجهاز، تأكد من عدم احتجاز سلك الإمداد أو تلفه -

تحذير: لا تضعوا العديد من منافذ المقابس المحمولة أو مصادر الطاقة المحمولة في الجزء الخلفي من الجهاز -

شكراً لكم على اختيار شركة إيكترولكس. تم تطوير موزعات الماء لدينا باستخدام معايير الجودة والمعايير الفنية العليا مع إضافة ميزات لتوفير لك الأمان. يرجى قراءة جميع التعليمات قبل استخدام هذا الجهاز. فهذا الدليل يحتوي على معلومات قيّمة بشأن التشغيل والعناية والخدمة. احتفظ بهذا الجهاز في مكان آمن. إنك تتوقع كل هذا من شركة إيكترولكس... ونحن نفي بتوقعاتك.

## النصائح البيئية

تكون المواد المستخدمة في التغليف قابلة لإعادة التدوير، ولذا نوصيك بفصل البلاستيك والأوراق والكرتون وإعطائها إلى شركات إعادة التدوير.

وفقاً لإرشادات توجيه النفايات الكهربائية والأجهزة الإلكترونية، يجب جمع النفايات الكهربائية والإلكترونية على نحو منفصل.

في حال كنت تريد التخلص من هذا الجهاز في المستقبل، فلا تلقيه مع باقي النفايات المحلية.

لكن بدلاً من ذلك، يرجى إرسال الجهاز إلى أقرب نقطة جمع نفايات تابعة لتوجيه النفايات الكهربائية والأجهزة الإلكترونية متى كان هذا متاحاً.



## يرجى الانتباه

سوف تجد بالداخل نصائح تساعدك في كيفية استخدام موزع المياه وصيانته بشكل مناسب. حيث تقديم القليل فقط من العناية الوقائية من جانبك يمكن أن يوفر عليك كثيراً من الوقت والمال خلال العمر الافتراضي لموزع المياه. سوف تجد الإجابات على المشاكل العامة في الرسم البياني لنصائح استكشاف الأخطاء وإصلاحها. فإذا اطلعت على الرسم البياني لنصائح استكشاف الأخطاء وإصلاحها أولاً، فمن الممكن ألا تحتاج إلى الاتصال بالخدمة على أي حال.



**EDBMFDXWG**  
**EDBMFDXSG**

1

دليل المستخدم

AR

