

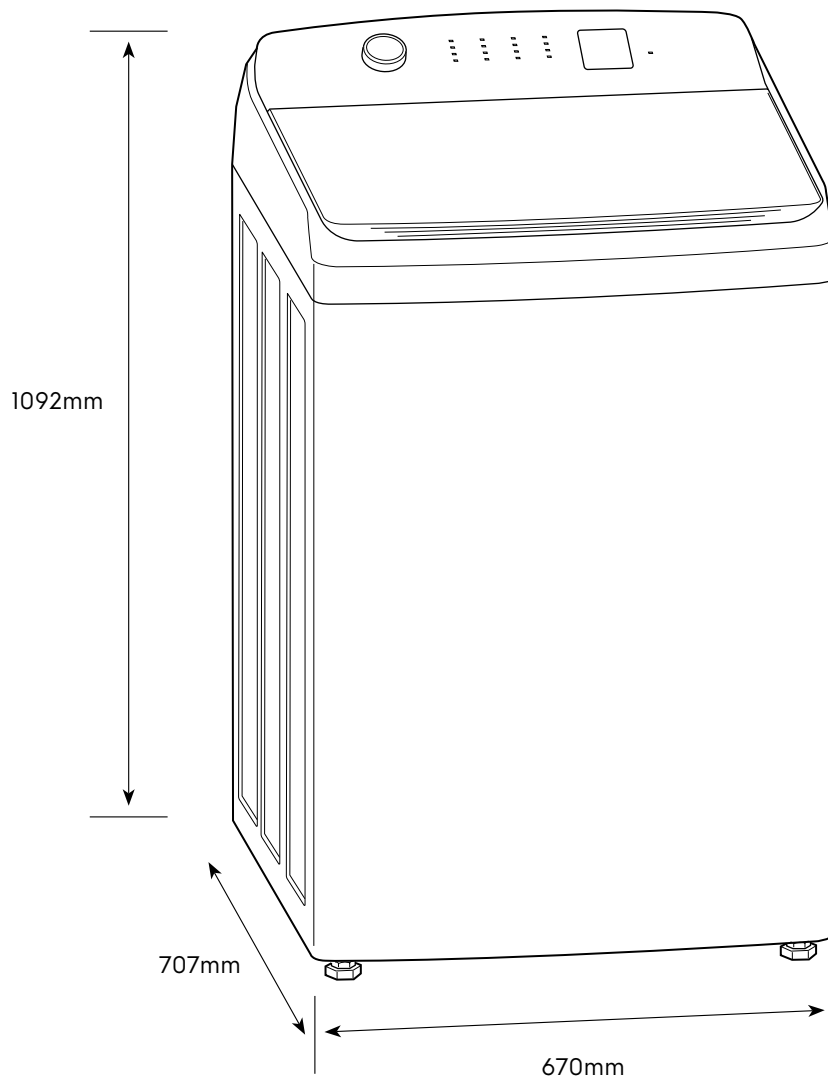
Dimension Guide

Top-load Washing Machine

Model:
EWT1574M7WA (ARABIC)

Dimensions

	width	height	depth
Product (mm)	670	1092	707



Please note! Dimensions to be used as a guide only. All customers MUST refer to the user manual supplied with the product for detailed installation instructions.
© 2022 Electrolux S.E.A PTE. LTD. E_DIM_EWT1574M7WA(ARABIC)_Jan22