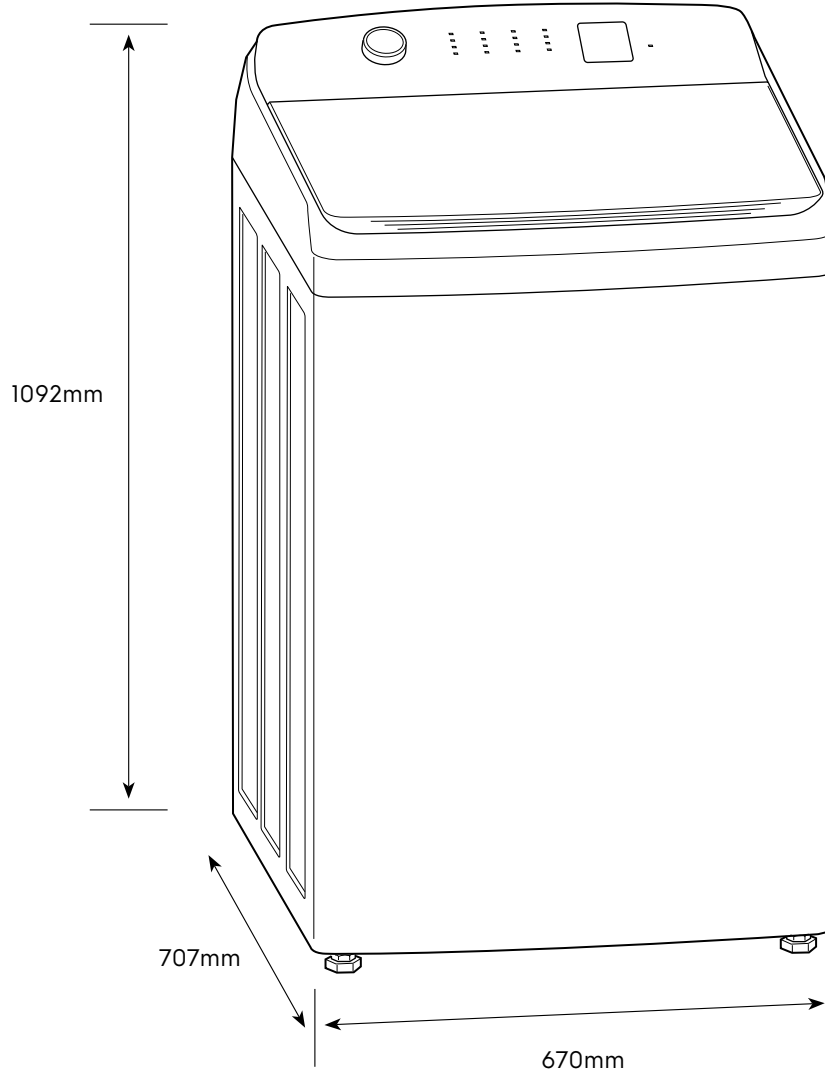


# Dimension Guide

## Top-load Washing Machine

**Model:**  
EWT1574M7SA (ARABIC)

Dimensions			
	width	height	depth
Product (mm)	670	1092	707



**Please note!** Dimensions to be used as a guide only. All customers MUST refer to the user manual supplied with the product for detailed installation instructions.  
© 2022 Electrolux S.E.A PTE. LTD. E\_DIM\_EWT1574M7SA(ARABIC)\_Jan22