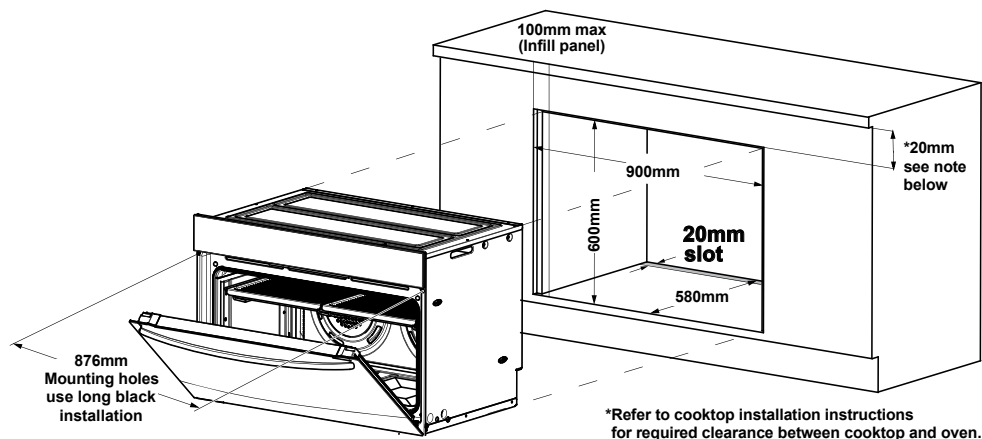


# Dimension Guide

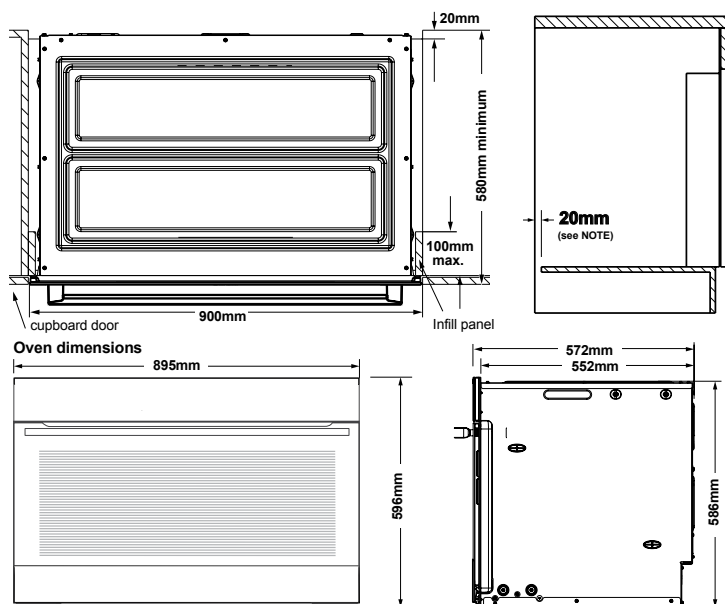
## Built-in Single Oven

**Model:**  
EVE916SE

Dimensions			
	width	height	depth
Cut-out (mm)	900	600	580
Product (mm)	895	596	572



**NOTE:** If a powerpoint is fitted it must be accessible with the appliance installed.



**NOTE:** If a powerpoint is fitted it must be accessible with the appliance installed.

For the best integration within a kitchen, install this appliance in a cupboard that gives a flush fit with the surrounding cupboard fronts. A recess of 20mm is ideal. **NOTE:** Your appliance must be mounted on a horizontal surface for the full width and depth of the product. **NOTE:** A ventilation slot 20mm wide is required at the rear of the base of the cabinet floor.

**Please note!** Dimensions to be used as a guide only. All customers MUST refer to the user manual supplied with the product for detailed installation instructions.

© 2023 Electrolux S.E.A PTE. LTD. E\_DIM\_EVE916SE\_Feb23