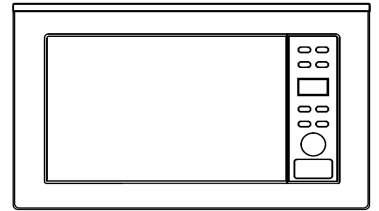
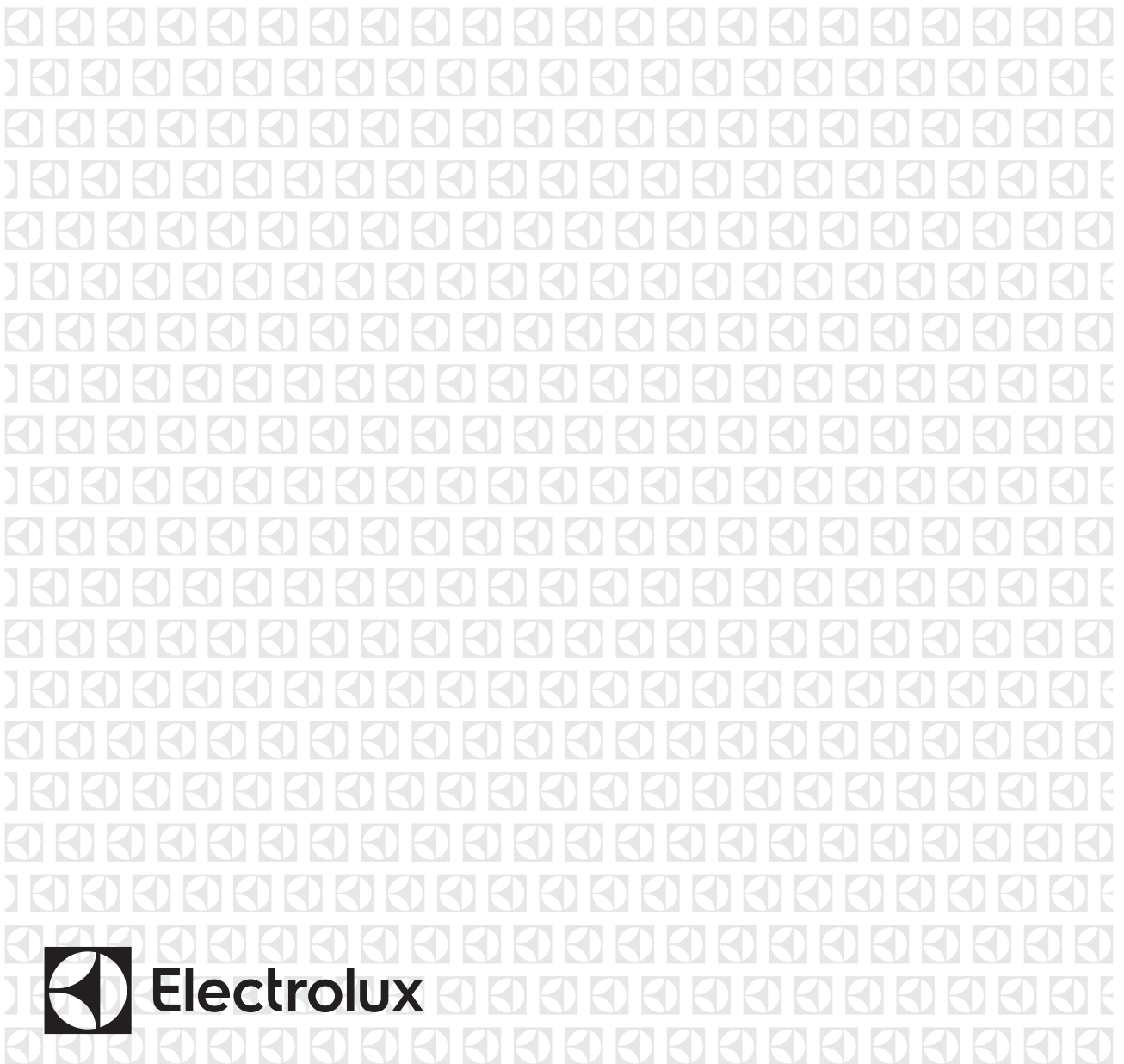


EMSB20XG

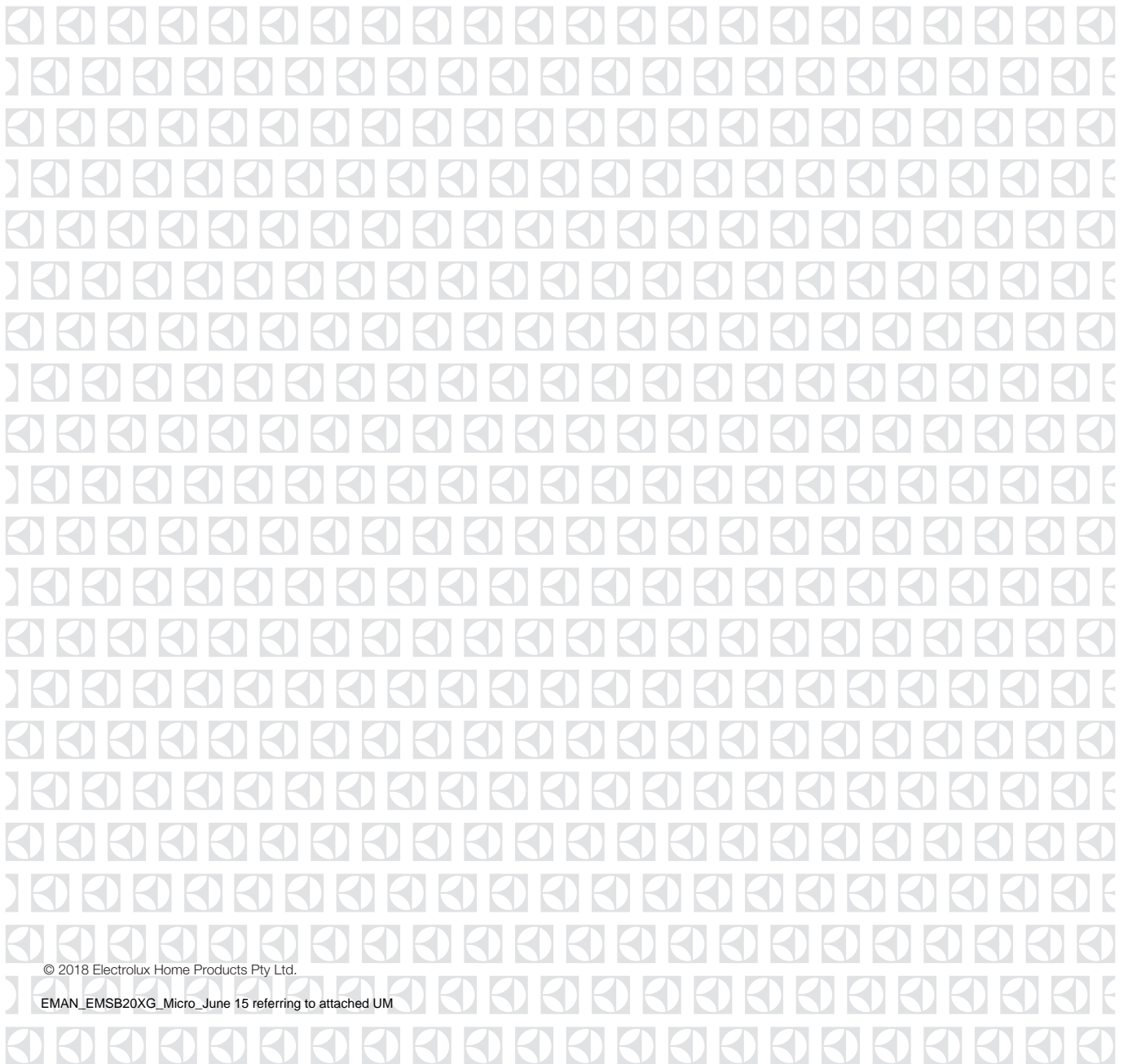


Build-in microwave

Installation & User manual



Electrolux



CONTENT

CONTENT	1
SPECIFICATIONS	2
IMPORTANT SAFETY INSTRUCTIONS	2
INSTALLATION GUIDE	5
GROUNDING INSTRUCTIONS	7
RADIO INTERFERENCE	7
BEFORE CALLING FOR SERVICE	7
COOKING TECHNIQUES	8
COOKING UTENSILS GUIDE	8
PRODUCT DIAGRAM	9
TURNTABLE INSTALLATION	10
CONTROL PANEL	11
OPERATION INSTRUCTIONS	12
SETTING THE CLOCK.....	12
EXPRESS COOKING.....	12
MICROWAVE COOKING.....	12
GRILL.....	13
COMBINATION.....	13
WEIGHT DEFROST.....	14
PRESET.....	14
CHILD LOCK.....	14
BUTTON ADHESION PROTECTION.....	14
COOK MENU.....	15
AUTO COOK.....	15
TROUBLE.....	17
CLEANING AND CARE	18
CONSUMERS CARE CONTACT CENTER	19

SPECIFICATIONS

Power Consumption:	220V/50Hz,1300W(Microwave),1050W(Grill)
	230V-240V/50Hz,1300W(Microwave),1000W(Grill)
Rated Microwave Power Output:	800W
Operation Frequency:	2450MHz
Outside Dimensions:	389mm(H)×594mm(W)×359mm(D)
Oven Cavity Dimensions:	210mm(H)×315mm(W)×329mm(D)
Oven Capacity:	20Litres
Net Weight:	Approx.14kg
Model number:	EMSB20XG
Plug type & cable length	Thailand plug(Thailand market), UK plug(Hong Kong & Malaysian market); 1010MM

IMPORTANT SAFETY INSTRUCTIONS

When using electrical appliance basic safety precautions should be followed, including the following:

WARNING!--To reduce the risk of burns, electric shock, fire, injury to persons or exposure to excessive microwave energy:

1. Read all instructions before using the appliance and keep for future reference.
2. Use this appliance only for its intended use as described in the manual. Do not use corrosive chemicals or vapors in this appliance. This type of oven is specifically designed to heat, cook or dry food. It is not designed for industrial or laboratory use.
3. Do not operate the oven when empty.
4. Do not operate this appliance if it has a damaged cord or plug, if it is not working properly, or if it has been damaged or dropped. If the supply cord is damaged, it must be replaced by the manufacturer or its service agent or a similarly qualified person in order to avoid a hazard.
5. **WARNING!**--Only allow children to use the oven without supervision when adequate instructions have been given so that the child is able to use the oven in a safe way and understands the hazards of improper use.
6. **WARNING!**--When the appliance is operated in the combination mode, children

- should only use the oven under adult supervision due to the temperatures generated
7. To reduce the risk of fire in the oven cavity:
 - When heating food in plastic or paper container, keep an eye on the oven due to the possibility of ignition.
 - Remove wire twist-ties from paper or plastic bags before placing bag in oven.
 - If smoke is observed, switch off or unplug the appliance and keep the door closed in order to stifle any flames.
 - Do not use the cavity for storage purposes. Do not leave paper products, cooking utensils, or food in the cavity when not in use.
 - The microwave oven is intended for heating food and beverages. Drying of clothing and heating of warming pads, slippers, sponges, damp cloth and similar may lead to risk of injury, ignition or fire.
 8. **WARNING!**--Liquid or other food must not be heated in sealed containers since they are liable to explode.
 9. Microwave heating of beverage can result in delayed eruptive boiling, therefore care has to be taken when handle the container.
 10. Do not fry food in the oven. Hot oil can damage oven parts and utensils and even result in skin burns.
 11. Eggs in their shell and whole hard-boiled eggs should not be heated in microwave ovens since they may explode even after microwave heating has ended.
 12. Pierce foods with heavy skins such as potatoes, whole squashes, apples and chestnuts before cooking.
 13. The contents of feeding bottles and baby jars should be stirred or shaken and the temperature should be checked before serving in order to avoid burns.
 14. Cooking utensils may become hot because of heat transferred from the heated food. Potholders may be needed to handle the utensil.
 15. Utensils should be checked to ensure that they are suitable for use in microwave oven.
 16. **WARNING!**--It is hazardous for anyone other than a trained person to carry out any service or repair operation which involves the removal of any cover which gives protection against exposure to microwave energy.
 17. This Microwave complies with EN 55011/CISPR 11, in this standard it belong to Class B Group 2 classification. Group 2 equipment: group 2 contains all ISM RF equipment in which radio-frequency energy in the frequency range 9 kHz to 400 GHz is intentionally generated and used or only used locally, in the form of electromagnetic radiation, inductive and/or capacitive coupling, for the treatment of material, for inspection/analysis purposes, or for transfer of electromagnetic energy.

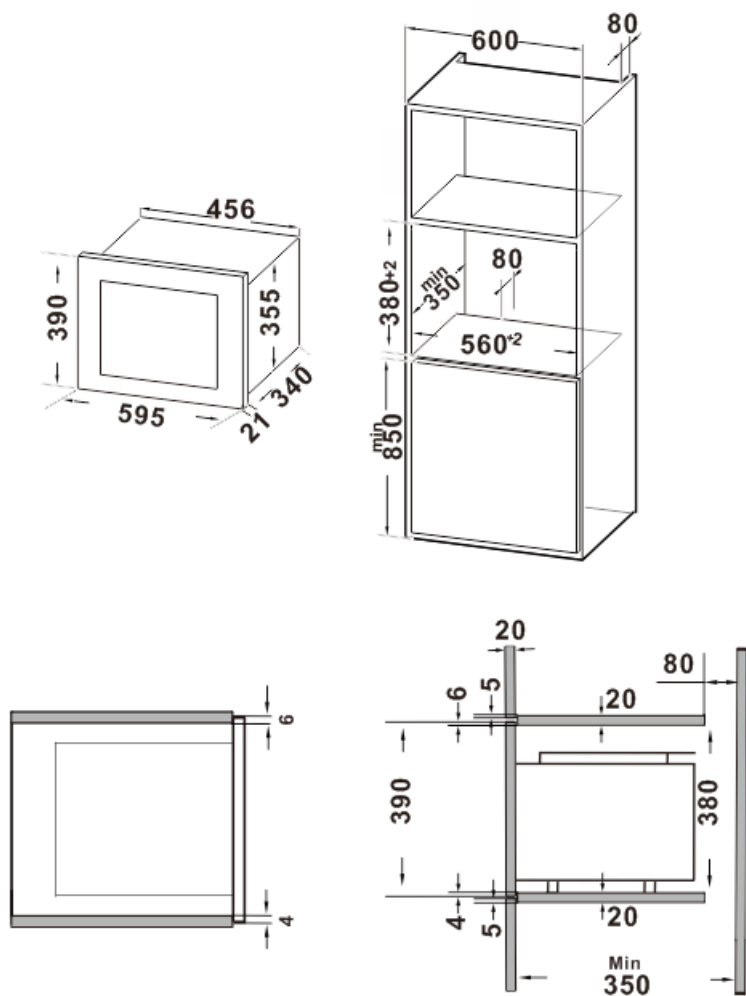
- Class B equipment is equipment suitable for use in locations in residential environments and in establishments directly connected to a low voltage power supply network which supplies buildings used for domestic purposes.
18. This appliance is not intended for use by persons (including children) with reduced physical, sensory or mental capabilities, or lack of experience and knowledge, unless they have been given supervision or instruction concerning use of the appliance by a person responsible for their safety.
 19. Children should be supervised to ensure that they do not play with the appliance.
 20. **WARNING!**--Do not install oven over a range cook top or other heat-producing appliance. if installed could be damaged and the warranty would be avoid .
 21. The microwave oven shall be placed in a cabinet.
 22. The door or the outer surface may get hot when the appliance is operating.
 23. **WARNING!**--Accessible parts may become hot during use. Young children should be kept away.
 24. During use the appliances becomes hot. Care should be taken to avoid touching heating elements inside the oven, for cooking ranged and ovens.
 25. The temperature of accessible surfaces may be high when the appliance is operating.
 26. Appliance is not to be used by children or persons with reduced physical, sensory or mental capabilities, or lack of experience and knowledge, unless they have been given supervision or instruction.
 27. **WARNING!**--If the door or door seals are damaged, the oven must not be operated until it has been repaired by a competent person.
 28. The appliances are not intended to be operated by means of an external timer or separate remote-control system.
 29. The microwave oven is for household use only and not for commercial use.
 30. Please secure the turntable before you move the appliance to avoid damages.
 31. **CAUTION!**--It is dangerous to repair or maintain the appliance by no other than a specialist because under these circumstances the cover have to be removed which assures protection against microwave radiation. This applies to changing the power cord or the lighting as well. Send the appliance in these cases to our service centre.
 32. The microwave oven is intended for defrosting, cooking and steaming of food only.
 33. Use gloves if you remove any heated food.
 34. Caution! Steam will escape, when opening lids or wrapping foil.
 35. This appliance can be used by children aged from 8 years and above and persons with reduced physical, sensory or mental capabilities or lack of experience and knowledge if they have been given supervision or instruction concerning use of the appliance in a safe way and understand the hazards involved. Children shall not

- play with the appliance. Cleaning and user maintenance shall not be made by children unless they are aged from 8 years and above and supervised.
36. If smoke is emitted, switch off or unplug the appliance and keep the door closed in order to stifle any flames.
 37. If there are manufacturing or oil remains on the enclosure or heating element, smoke or odor might occur during the beginning operation. This is normal and will cases after repeated use. We strongly recommend proceeding as follow:
 1. Turn on the grill mode and left the appliance operate several times without food to be cooked.
 2. Ensure sufficient ventilation.
 38. The wire grill rack is not suitable for use on microwave only mode. , it can be used on grill, convection and combi (includes short burst of microwave, which is ok)

INSTALLATION GUIDE

1. Make sure that all the packing materials are removed from the inside of the door.
2. **WARNING!**--Check the oven for any damage, such as misaligned or bent door, damaged door seals and sealing surface, broken or loose door hinges and latches and dents inside the cavity or on the door. If there is any damage, do not operate the oven and contact qualified service personnel.
3. This microwave oven must be placed on a flat, stable surface to hold its weight and the heaviest food likely to be cooked in the oven.
4. Do not place the oven where heat, moisture, or high humidity are generated, or near combustible materials.
5. Do not operate the oven without glass tray, roller support, and shaft in their proper positions.
6. Make sure that the power supply cord is undamaged and does not run under the oven or over any hot or sharp surface.
7. The socket must be readily accessible so that it can be easily unplugged in an emergency.
8. Do not use the oven outdoors.

20L Built in Microwave Oven Installation Instructions



GROUNDING INSTRUCTIONS

This appliance must be grounded. This oven is equipped with a cord having a grounding wire with a grounding plug. It must be plugged into a wall receptacle that is properly installed and grounded. In the event of an electrical short circuit, grounding reduces risk of electric shock by providing an escape wire for the electric current. It is recommended that a separate circuit serving only the oven be provided. Using a high voltage is dangerous and may result in a fire or other accident causing oven damage.

WARNING!--Improper use of the grounding plug can result in a risk of electric shock.

Note:

1. If you have any questions about the grounding or electrical instructions, consult a qualified electrician or service person.
2. Neither the manufacturer nor the dealer can accept any liability for damage to the oven or personal injury resulting from failure to observe the electrical connection procedures.

The wires in this cable main are colored in accordance with the following code:

Green and Yellow = EARTH

Blue = NEUTRAL

Brown = LIVE

RADIO INTERFERENCE

Operation of the microwave oven can cause interference to your radio, TV, or similar equipment. When there is interference, it may be reduced or eliminated by taking the following measures:

1. Clean door and sealing surface of the oven.
2. Reorient the receiving antenna of radio or television.
3. Relocate the microwave oven with respect to the receiver.
4. Move the microwave oven away from the receiver.
5. Plug the microwave oven into a different outlet so that microwave oven and receiver are on different branch circuits.

BEFORE CALLING FOR SERVICE

Before asking for service, please check each item below:

- Check to ensure the oven is plugged in securely. If not, remove the plug from the outlet, wait 10 seconds, and plug it in again securely.
- Check for a blown circuit fuse or a tripped main circuit breaker. If these seem to be

operating properly, test the outlet with another appliance.

- Check to ensure the control panel is programmed correctly and the timer is set.
- Check to ensure the door is securely closed, engaging the door lock system. If the door is not properly closed, the microwave energy will not flow inside.

IF NONE OF THE ABOVE RECTIFIES THE SITUATION, THEN CONTACT A QUALIFIED TECHNICIAN. DO NOT TRY TO ADJUST OR REPAIR THE OVEN YOURSELF.

COOKING TECHNIQUES

1. Arrange food carefully. Place thickest areas towards outside of dish.
2. Watch cooking time. Cook for the shortest amount of time indicated and add more as needed. Food severely overcooked can smoke or ignite.
3. Cover foods while cooking. Covers prevent splattering and help foods to cook evenly.
4. Turn foods over once during microwave cooking to speed cooking of such foods as chicken and hamburgers. Large items like roasts must be turned over at least once.
5. Rearrange foods such as meatballs halfway through cooking both from top to bottom and from the center of the dish to the outside.

COOKING UTENSILS GUIDE

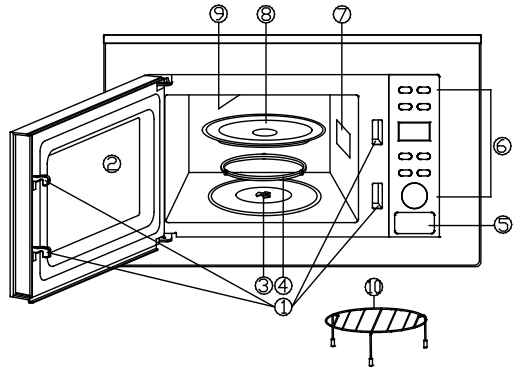
1. Microwave cannot penetrate metal. Only use utensils that are suitable for use in microwave ovens. Metallic containers for food and beverages are not allowed during microwave cooking. This requirement is not applicable if the manufacturer specifies size and shape of metallic containers suitable for microwave cooking.
2. Microwave cannot penetrate metal, so metal utensils or dishes with metallic trim should not be used.
3. Do not use recycled paper products when microwave cooking, as they may contain small metal fragments which may cause sparks and/or fires.
4. Round /oval dishes rather than square/oblong ones are recommend, as food in corners tends to overcook.
5. Narrow strips of aluminum foil may be used to prevent overcooking of exposed areas. But be careful don't use too much and keep a distance of 1 inch (2.54cm) between foil and cavity.

The list below is a general guide to help you select the correct utensils.

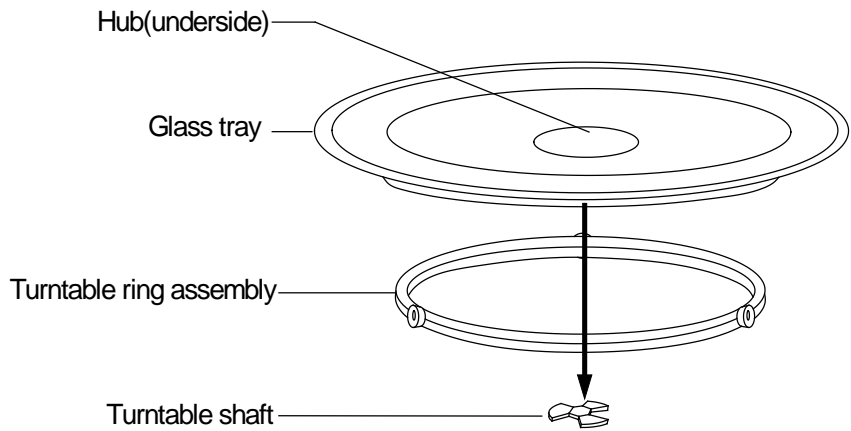
COOKWARE	MICROWAVE	GRILL	COMBINATION
Heat-Resistant Glass	Yes	Yes	Yes
Non Heat-Resistant Glass	No	No	No
Heat-Resistant Ceramics	Yes	Yes	Yes
Microwave-Safe Plastic Dish	Yes	No	No
Kitchen Paper	Yes	No	No
Metal Tray	No	Yes	No
Metal Rack	No	Yes	No
Aluminum Foil & Foil Containers	No	Yes	No

PRODUCT DIAGRAM

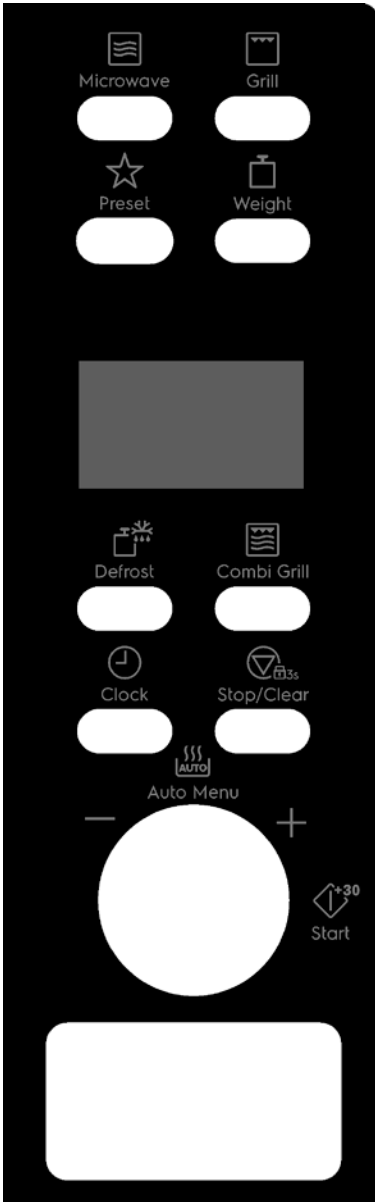
1. Door Safety Lock System
2. Oven Window
3. Shaft
4. Roller Ring
5. Door Release Button
6. Control Panel
7. Wave Guide
- (Please do not remove the mica plate covering the wave guide)
8. Glass Tray
9. Grill Heater
10. Metal Rack



Turntable Installation




CONTROL PANEL



Button	Action	Behavior
Microwave	Quick Press	Press to set microwave cooking power level
Grill	Quick Press	Press to set grill cooking program
Preset	Quick Press	Use to set the oven to start-up at a later time
Weight	Quick Press	Press to set food weight or servings
Defrost	Quick Press	Press to defrost food based on weight
Combi Grill	Quick Press	Press to set microwave and grill combination cooking program
Clock	Quick Press	Press to set clock time
Stop/Clear	Quick Press	Press once to temporarily stop cooking
		or
		twice to cancel cooking altogether.
Time/Menu (dial)	Turn the dial	It is also used to set child lock
		Turn the dial to set time
Start/+30 SEC (the dial)	Press the dial	Turn the dial to select auto cooking menus
		Press the dial to start cooking and defrosting programs
		Press the dial to express cooking program

OPERATION INSTRUCTIONS

- When the oven is first plugged in, the display will show " " and "1:00".
- In the process of setting, broke about 30 seconds the oven will return to standby mode.
- During cooking, if press STOP/CLEAR button once or open the oven door, the program will be paused, then press START/+30 button to resume. But if press STOP/CLEAR button once at pausing state, the program will be cancelled.
- After cooking end, the display will show End and beep will sound every two minutes until user press any button or open the door.
- The electronically controlling system of the microwave oven has the feature of cooling. As for any cooking mode which cooking time above 2 minutes, after cooking end or cooking program is paused, the oven fan will work about 3 minutes automatically to cool the oven for prolonging the life of the oven.

SETTING THE CLOCK

1. In standby mode, press CLOCK button once.
2. Turn TIME/MENU dial until the correct hour is displayed.
3. Press CLOCK button once.
4. Turn TIME/MENU dial until the correct minute is displayed.
5. Press CLOCK button to confirm.

NOTE: This is a 24- hour clock. During cooking, you can check the current clock time by pressing CLOCK button.

EXPRESS COOKING

Use this feature to program the oven to microwave food at 100% power conveniently. In standby mode, press START/+30 button once (Default cooking time is 30 seconds), the oven will start working automatically.

NOTE: During cooking, you can press START/+30 button repeatedly to add cooking time, each press to increase 30 seconds, and up to 10 minutes.

MICROWAVE COOKING

1. In standby mode, press MICROWAVE repeatedly to set cooking power level.
2. Turn TIME/MENU dial to set cooking time. The time ranges from 10 seconds to 95 minutes.
3. Press START/+30 button to start.

Select power level by pressing MICROWAVE button:

Press MICROWAVE pad	Cooking Power(Display)	Microwave Power
Once	100%(HI)	800W
Twice	80%(M-HI)	640W
3 times	60%(MED)	480W
4 times	40%(M-LO)	320W
5 times	20%(LO)	160W

NOTE: If you want to cook at full power level, directly turn TIME/MENU dial clockwise to set cooking time, then press START/+30 button to start. During cooking, you can check the power level by pressing MICROWAVE button.

GRILL

Grill cooking is particularly useful for thin slices of meat, steaks, chops, kebabs, sausages and pieces of chicken. It is also suitable for hot sandwiches and au gratin dishes

1. In standby mode, press GRILL button once.
2. Turn TIME/MENU dial to set cooking time. The time ranges from 10 seconds to 95 minutes.
3. Press START/+30 button to start.

COMBINATION

1. In standby mode, press COMBI GRILL button once or twice to select "Co-1" or "Co-2".
2. Turn TIME/MENU dial to set cooking time. The time ranges from 10 seconds to 95 minutes.
3. Press START/+30 SEC button to start.

Press COMBI. pad	Combination	Cooking time	
		Microwave	Grill
Once	C-01	30%	70%
Twice	C-02	55%	45%

NOTE: During cooking, you can check the current combination mode by pressing COMBI GRILL button.

WEIGHT DEFROST

The time and the defrosting power are adjusted automatically once the weight is programmed. The frozen food weight ranges from 100 g to 1800 g.

1. In standby mode, press DEFROST button once.
2. Press WEIGHT button repeatedly to set food weight.
3. Press START/+30 button to start.

NOTE: During defrosting, the oven will pause to remind user to turn food over, after that, press START/+30 button to resume.

PRESET

Preset function allows the oven to start up in a later time.

1. Input a cooking program (except express cooking and defrost programs). Do not press START/+30 button.
2. Press PRESET button once.
3. Turn TIME/MENU dial to set hour digit.
4. Press PRESET button once.
5. Turn TIME/MENU dial to set minute digit.
6. Press START/+30 button to start.

NOTE: When the oven stays in preset state, you can check the preset time by pressing PRESET button, you can cancel the preset program by pressing STOP/CLEAR button when the preset time is showing.

CHILD LOCK

Use to prevent unsupervised operation of the oven by children.

To set: In standby mode, press and hold the STOP/CLEAR button for 3 seconds, then a beep will sound, the oven will auto enter child lock mode and the lock indicator light will turn on. In the lock state, all buttons are disabled.

To cancel: Press and hold STOP/CLEAR button for 3 seconds, then a beep will sound and the indicator light will come off.

BUTTON ADHESION PROTECTION

In any state, if any button on the control panel is adhesion for 60 seconds, the program stops working immediately, the display shows "FAIL" and the system will sound beep. If the button is adhesion all the time, beep will sound every one minute. Any button is invalid at this time. After troubleshooting, press STOP/CLEAR button to return standby mode.

COOK MENU

For the following food, it is recommended to use time and power for better cooking effect.





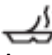




Food type	Cooking function	Power	Weight/Share	Cooking time
Beverage / coffee	MW	100%	1 cup	1:30
			2 cups	2:40
			3 cups	3:50
Popcorn	MW	100%	100 g	2:00~3:00
Auto reheat rice	MW	100%	200 g	1:30
			300 g	2:00
			400 g	2:30
			500 g	3:00
			600 g	3:30
			700 g	4:00
Potatoes	MW	100%	230 g	5:00
			460 g	8:00
Reheat Pizza	Grill/Conv	100%	150 g	0:50
			300 g	1:20
			450 g	1:50
Chicken	Grill combi 2	100%	800 g	33:00
			1000 g	36:00
			1200 g	39:30
			1400 g	42:00

AUTO COOK

For the following food or cooking mode, it is not necessary to program the cooking time and power. It is sufficient to indicate the type of food that you wish to cook as well as the weight or servings of the food.

1. In standby mode, turn TIME/MENU dial anti-clockwise once, the display show "A-1", then continue to turn the dial to select others food code.
2. Press WEIGHT button repeatedly to set food weight or servings.
3. Press START/+30 button to start.

Auto cook menus:

Menu		Weight/Share	Display
A-1	 Milk/Coffee	1 cup	1
		2 cups	2
		3 cups	3
A-2	 Rice	150 g	150 g
		300 g	300 g
		450 g	450 g
		600 g	600 g
A-3	 Spaghetti	100 g	100 g
		200 g	200 g
		300 g	300 g
A-4	 Potato	1	1
		2	2
A-5	 Auto Reheat	200 g	200 g
		300 g	300 g
		400 g	400 g
		500 g	500 g
		600 g	600 g
		700 g	700 g
		800 g	800 g
A-6	 Fish	200 g	200 g
		300 g	300 g
		400 g	400 g
		500 g	500 g
		600 g	600 g
A-7	 Chicken	800 g	800 g
		1000 g	1000 g
		1200 g	1200 g
		1400 g	1400 g
A-8	 beef/ Mutton	200 g	200 g
		300 g	300 g
		400 g	400 g
		500 g	500 g
		600 g	600 g
A-9	 Skewered Meat	100 g	100 g
		200 g	200 g
		300 g	300 g
		400 g	400 g
		500 g	500 g

1. For items A-7 ~ A-9, the oven will pause to remind user to turn food over, after that, press START/+30 button to resume.
2. The result of auto cooking depends on factors such as voltage fluctuation, the shape and size of food, your personal preference as to the doneness of certain foods and even how well you happen to place food in the oven. If you find the result at any rate not quite satisfactory, please adjust the cooking time a little bit accordingly.

TROUBLE

Trouble	Possible cause	Remedy
Oven cannot be started	(1) Power cord not plugged in tightly	Unplug. Then plug again after 10 seconds.
	(2) Fuse blowing or circuit breaker works	Replace fuse or reset circuit breaker (repaired by professional personnel of our company)
	(3) Trouble with outlet	Test outlet with other electrical appliances
Oven does not heat	(4) Door not closed well	Close door well
Glass turntable make noise when microwave oven	(5) Dirty roller reser and oven bottom	Refer to “Cleaning” to clean dirty parts

CLEANING AND CARE

1. Turn off the oven and unplug the power cord from the wall when cleaning.
2. Keep the inside of the oven clean. When food splatters or spilled liquids adhere to oven walls, wipe with a damp cloth. Mild detergents may be used if the oven gets very dirty. Avoid using spray or other harsh cleaners. They may stain, streak or dull the door surface.
3. The outside of the oven should be cleaned with a damp cloth. To prevent damage to the operating parts inside the oven, water should not be allowed to seep into the ventilation openings.
4. Wipe the door and window on sides, the door seals and adjacent parts frequently with a damp cloth to remove any spills or splatters. Do not use abrasive cleaner.
5. A steam cleaner is not be used.
6. Do not allow the control panel to become wet. Clean with a soft, damp cloth. When cleaning the control panel, leave oven door open to prevent oven from accidentally turning on.
7. If steam accumulates inside or around the outside of the oven door, wipe with a soft cloth. This may occur when the microwave oven is operated under high humidity condition. And it is normal.
8. It is occasionally necessary to remove the glass tray for cleaning. Wash the tray in warm sudsy water or in a dishwasher.
9. The roller ring and oven floor should be cleaned regularly to avoid excessive noise. Simply wipe the bottom surface of the oven with mild detergent. The roller ring may be washed in mild, soapy water or in a dishwasher. When removing the roller ring, be sure to replace it in the proper position.
10. Remove odors from your oven by combining a cup of water with the juice and skin of one lemon in a microwaveable bowl. Microwave for 5 minutes. Wipe thoroughly and dry with a soft cloth.
11. If the light bulb burns out, please contact customer service to have it replaced.
12. The oven should be cleaned regularly and any food deposits should be removed. Failure to maintain the oven in a clean condition could lead to deterioration of surface that could adversely affect the life of the unit and could possibly result in a hazardous situation.
13. Please do not dispose of this appliance into the domestic rubbish bin; it should be disposed to the particular disposal center provided by the municipalities.
14. When the microwave oven with grill function is first used, it may produce slight smoke and smell. This is a normal phenomenon, because the oven is made of a steel plate coated with lubricating oil, and the new oven will produce fumes and odor generated by burning the lubricating oil. This phenomenon will disappear after a

period of using.

Consumers care contact center

<p>Thailand Consumer Care Tel : (+66 2) 725 9000 Electrolux Thailand Co., Ltd. Electrolux Building 14th Floor 1910 New Phetchaburi Road, Bangkapi, Huai Khwang, Bangkok 10310 Office Tel : (+66 2) 7259100 Office Fax : (+66 2) 7259299 Email : customercarethai@electrolux.com</p>	<p>Malaysia Consumer Care Center Tel: 1300-88-11-22 Electrolux Home Appliances Sdn. Bhd. Corporate Office Address: Unit T2-7, 7th Floor, Tower 2, PJ33, No. 3, Jalan Semangat, Seksyen 13, 46200 Petaling Jaya, Selangor. Office Tel : (+60 3) 7843 5999 Office Fax : (+60 3) 7955 5511 Consumer Care Center Address: Lot C6, No. 28, Jalan 15/22, Taman Perindustrian Tiong Nam, 40200 Shah Alam, Selangor Consumer Care Center Fax : (+60 3) 5524 2521 Email : malaysia.customercare@electrolux.com</p>
<p>Indonesia Hotline service: 08041119999 PT. Electrolux Indonesia Electrolux Building Jl.Abdul Muis No.34, Petojo Selatan, Gambir Jakarta Pusat 10160 Email:customercare@electrolux.co.id SMS & WA : 0812.8088.8863</p>	<p>Philippines Consumer Care Center Toll Free : 1-800-10-845-CARE(2273) Consumer Care Hotline : (+63 2) 845-CARE(2273) Electrolux Philippines, Inc. Unit B 12F Cyber Sigma Bldg, Lawton Avenue, McKinley West, Taguig, Philippines 1634 Trunkline: +63 2 737- 4757 Website : www.electrolux.com.ph Email : wecare@electrolux.com</p>
<p>Vietnam Consumer Care Center Toll Free: 1800-58-88-99 Tel: (+84 28) 3910 5465 Electrolux Vietnam Ltd. Floor 9th, A&B Tower 76 Le Lai Street - Ben Thanh Ward - District 1 Ho Chi Minh City . Vietnam</p>	<p>Singapore Consumer Care Centre, Tel : (+65) 67273699 Electrolux S.E.A. Pte Ltd. 351 Braddell Road #01-04, 351 On Braddell Singapore 579713 Email : customer-care.sin@electrolux.com</p>
<p>HONG KONG SERVICE HOTLINE: (+852) 3193 9888 DCH ELECTRICAL APPLIANCES SERVICE CENTRE 4/F, DCH BUILDING, 20 KAI CHEUNG ROAD, KOWLOON BAY, HONG KONG EMAIL: customercare@dch.com.hk WEBSITE: www.electrolux.com.hk</p>	

RoHS

Compliant

Conformed to the stipulation on permissible content limitation of some hazardous & restricted chemical substances.

(RoHS compliant)

(According to the Circular No. 30/2011/TT-BCT, Vietnam, dated 10th August, 2011)

