

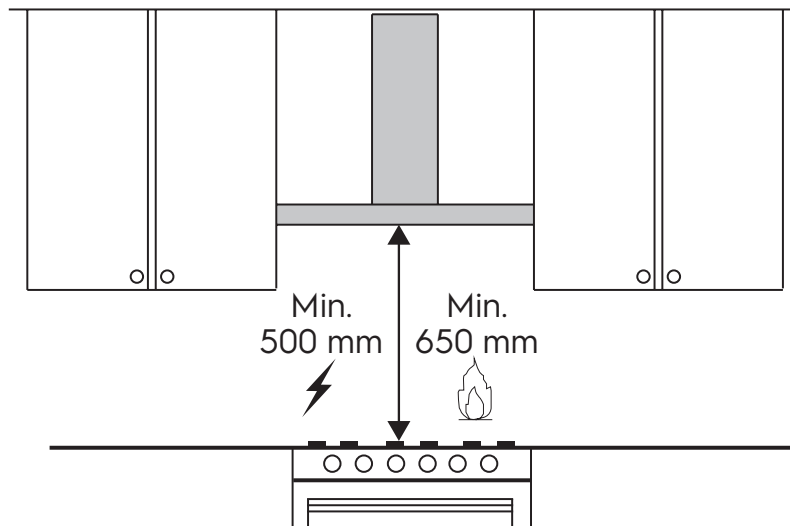
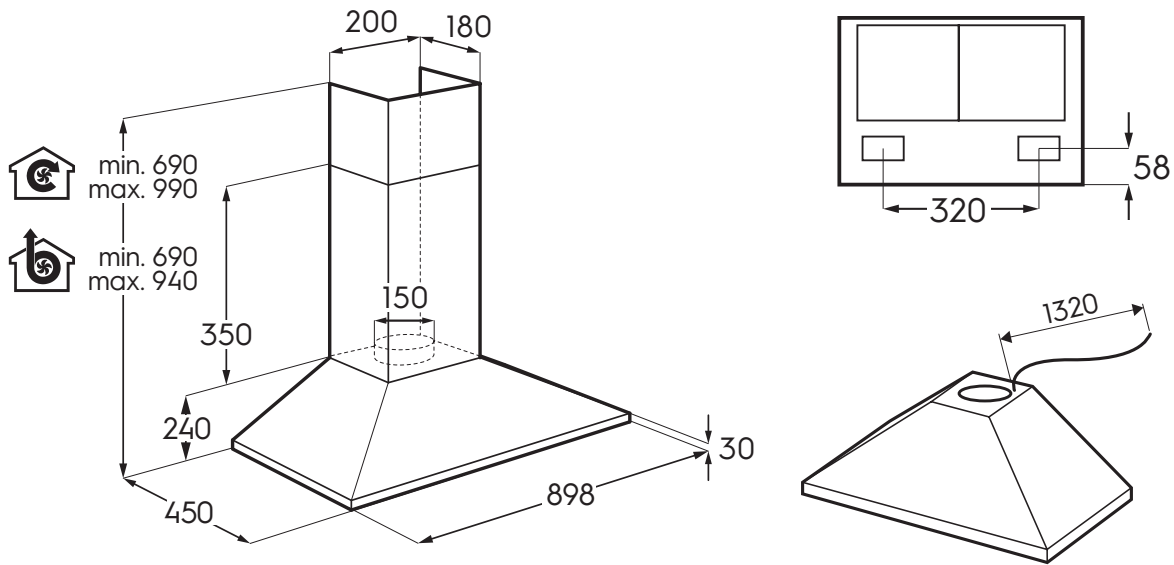
# Dimension Guide

## Extractor Hood

**Model:**  
LFC319K

### Dimensions

	width	height	depth
Product (mm)	898	690-940	450



**Please note!** Dimensions to be used as a guide only. All customers MUST refer to the user manual supplied with the product for detailed installation instructions.

© 2023 Electrolux S.E.A PTE. LTD. ELX\_DIM\_LFC319K\_Nov23